

303400

Illustrated Parts List

Model Series

303400

TYPE NUMBERS
0021 through 1450.

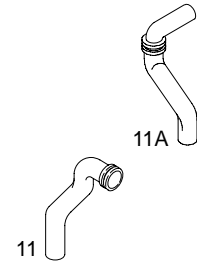
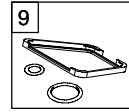
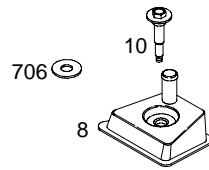
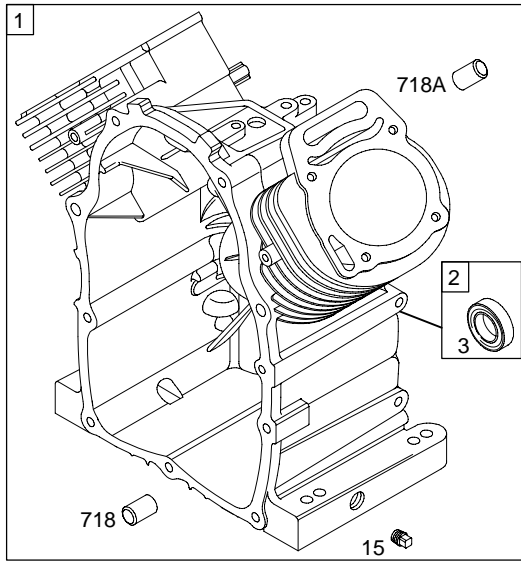
TABLE OF CONTENTS

Air Cleaners	9
Alternator	18
Blower Housings	15
Cams	2
Carburetor	8
Controls	13
Crankcase Cover/Sump	4
Crankshaft	2
Cylinder	2
Electric Starter	19 & 20
Flywheel	16
Fuel Tank	12
Governor Spring	15
Head/Valves	3
Ignition	18
Intake Manifolds	4
Kits/Gaskets – Carburetor	6
Kits/Gaskets Set – Engine	7
Kits/Gaskets – Valves	6
Muffler	10 & 11
Oil Group	5
Piston	2
Rewind Starters	17
Shrouds	14

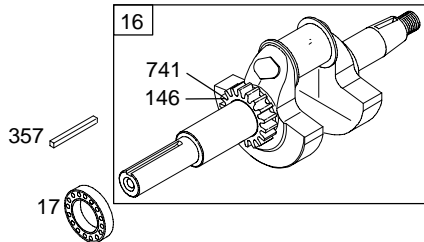
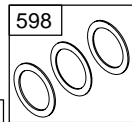
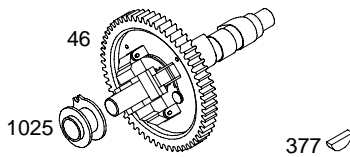
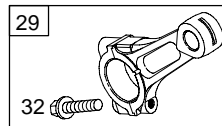
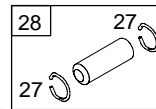
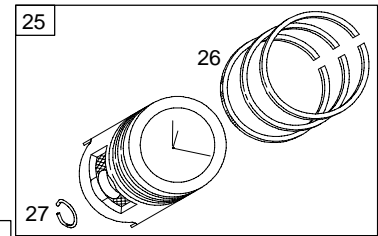
PRINTED IN U.S.A.



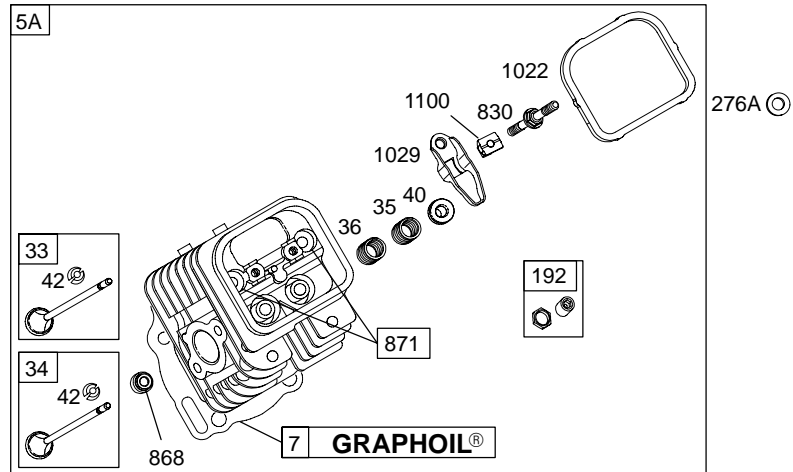
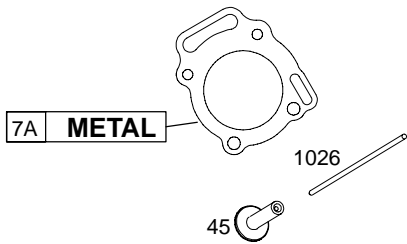
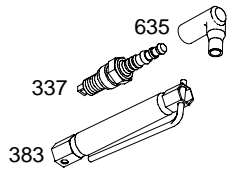
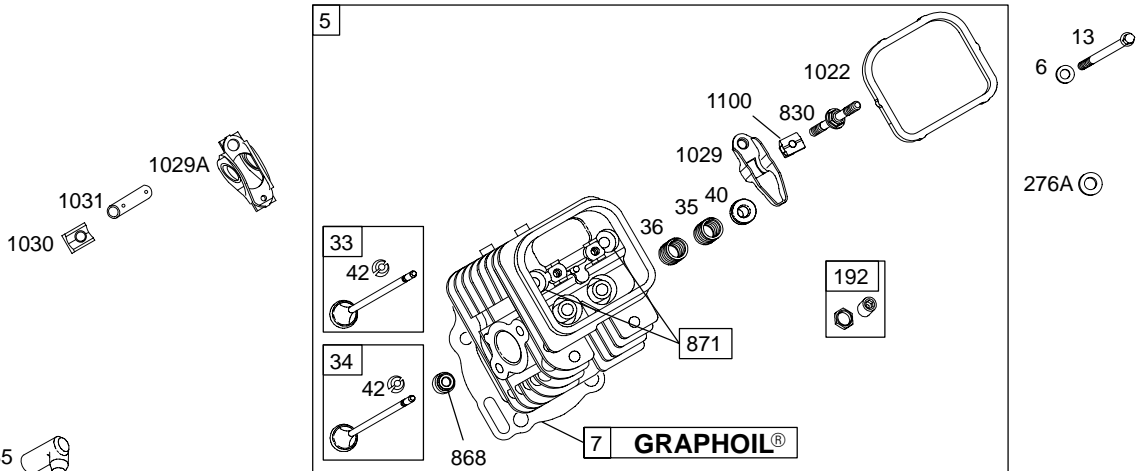
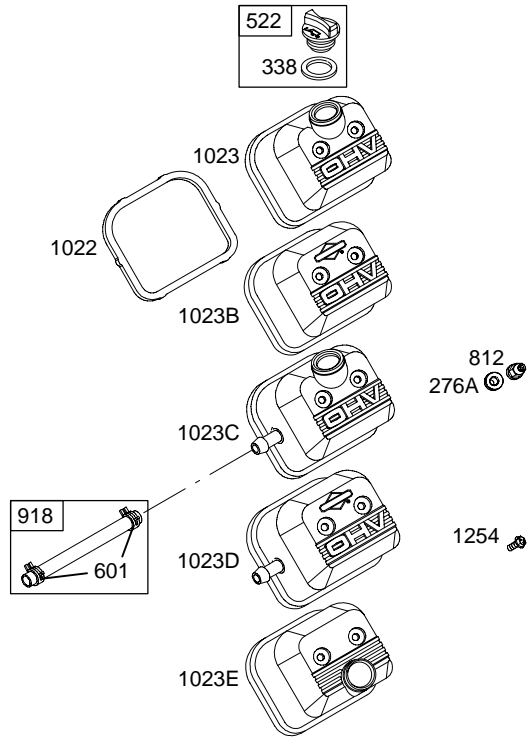
COPYRIGHT by BRIGGS & STRATTON CORPORATION
All rights reserved. No part of this material may be reproduced or transmitted, in any form or by any means, electronic or mechanical, including photocopying, recording or by any information storage and retrieval system, without permission in writing from Briggs & Stratton Corporation.



- 1019 LABEL KIT
- 1058 OWNER'S MANUAL
- 1330 REPAIR MANUAL

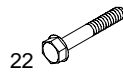
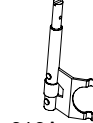
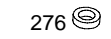
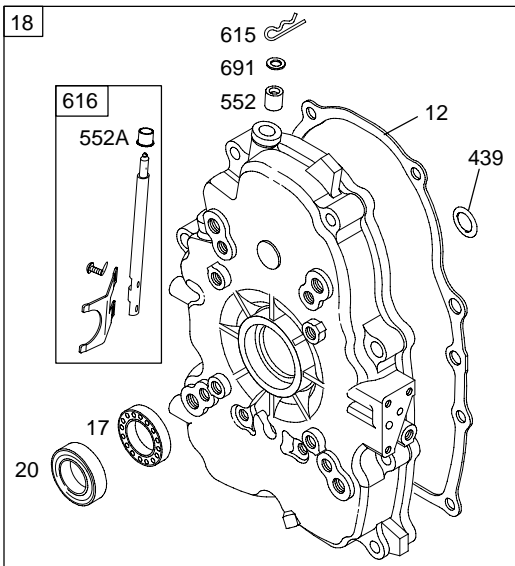
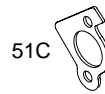
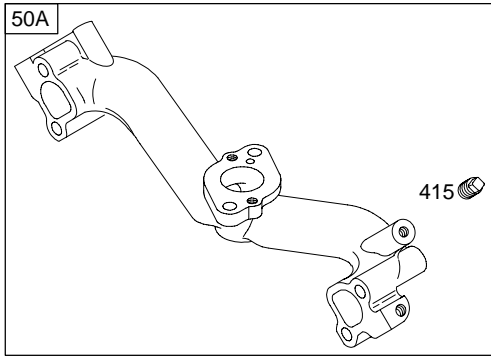
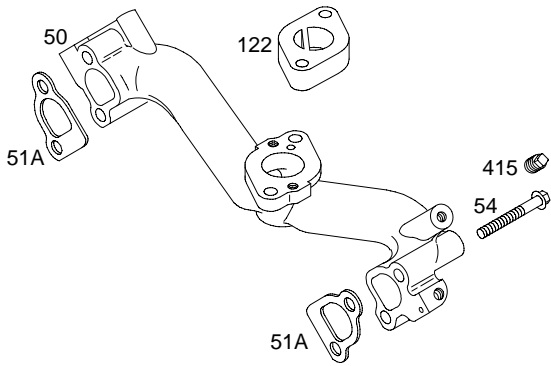


Illustrations cover a range of engines. Parts shown without corresponding text may not be used on your specific engine.
9691-2 Assemblies include all parts shown in frames. **03/15/2004**

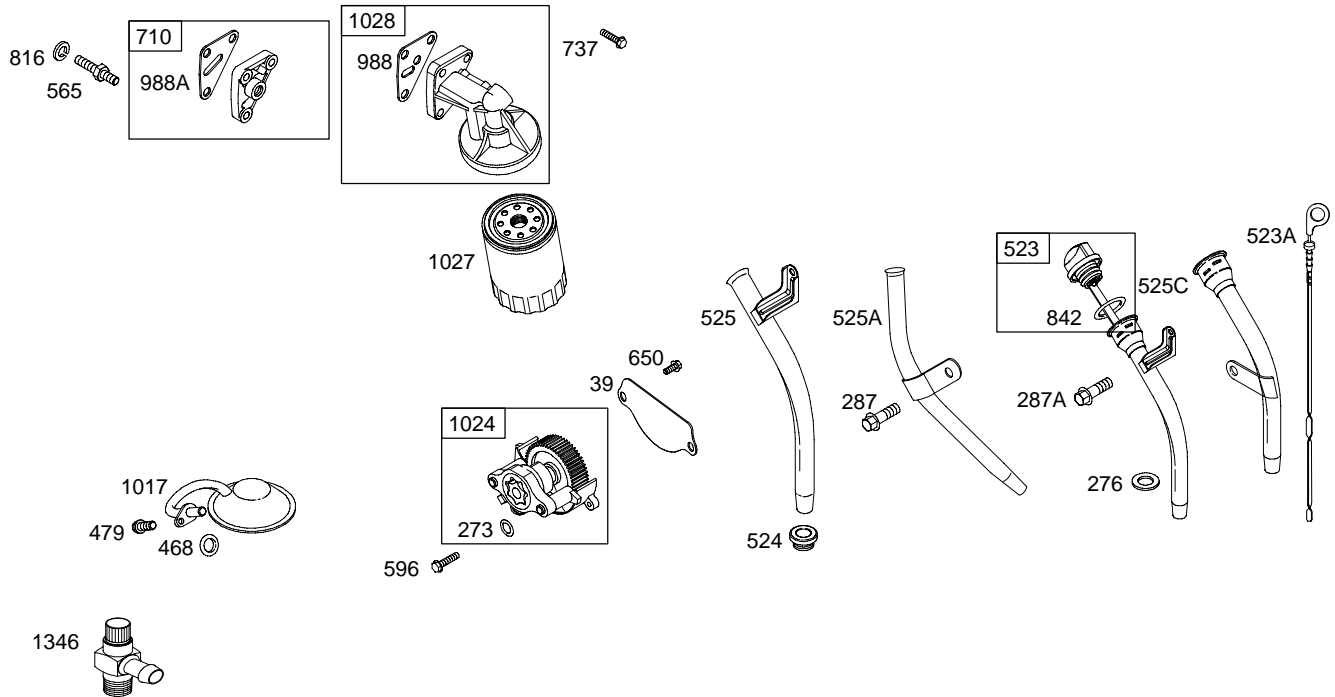


Illustrations cover a range of engines. Parts shown without corresponding text may not be used on your specific engine.
 9691-3 Assemblies include all parts shown in frames.

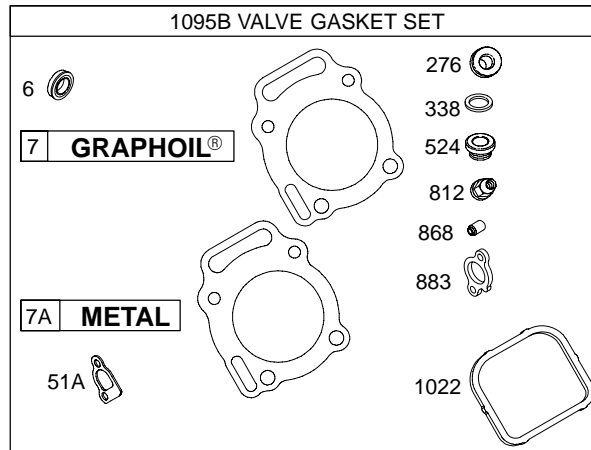
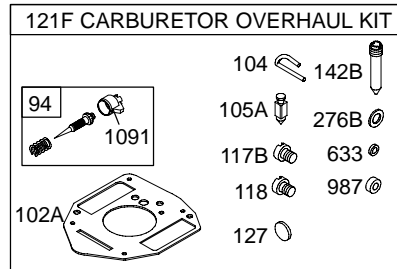
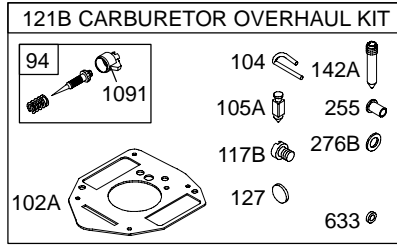
303400

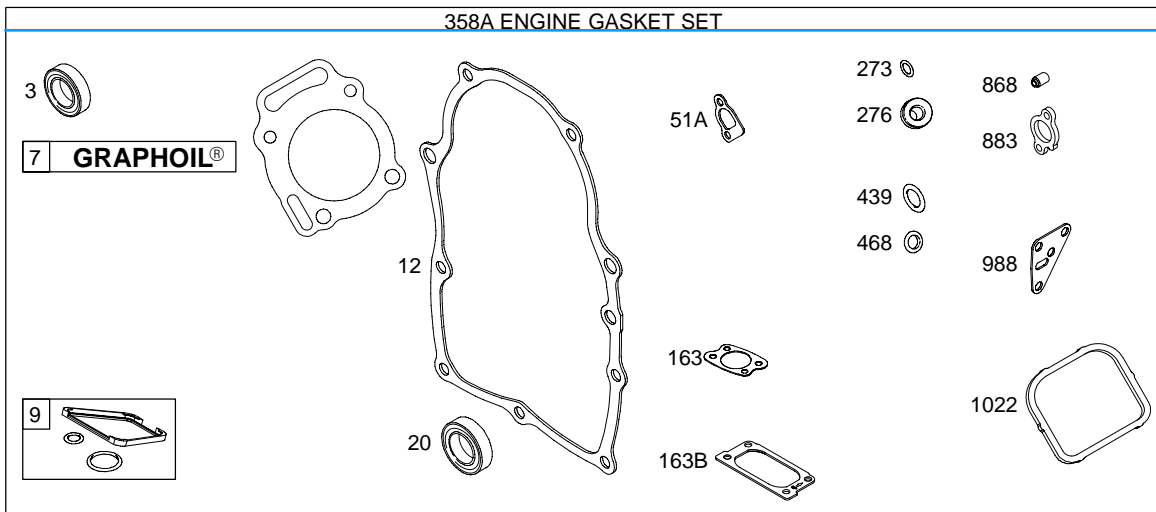


Illustrations cover a range of engines. Parts shown without corresponding text may not be used on your specific engine.
 9691-4 Assemblies include all parts shown in frames. 03/15/2004

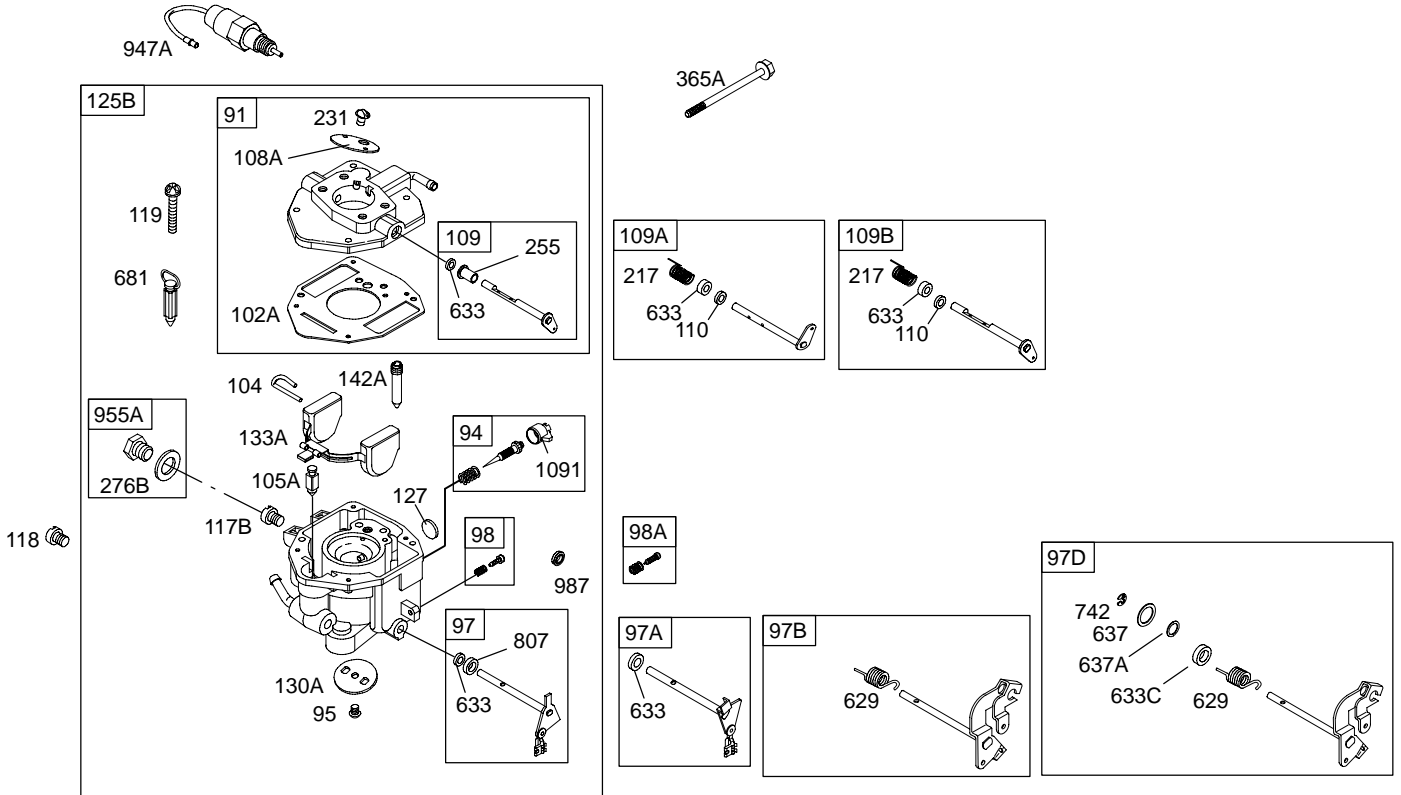


Illustrations cover a range of engines. Parts shown without corresponding text may not be used on your specific engine.

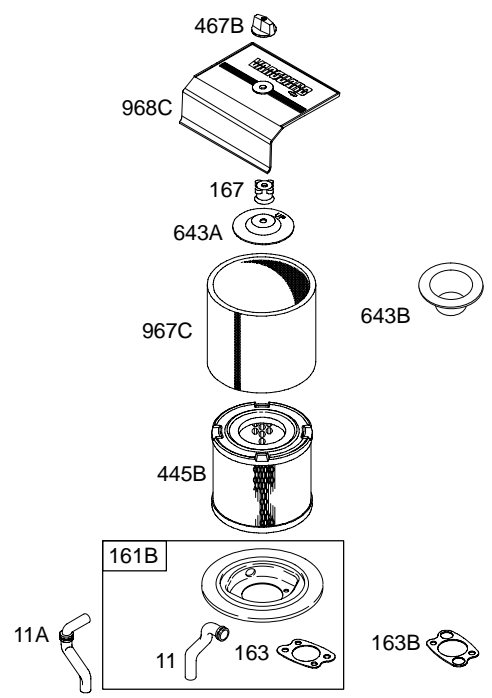
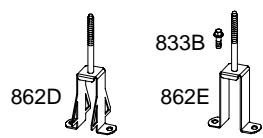
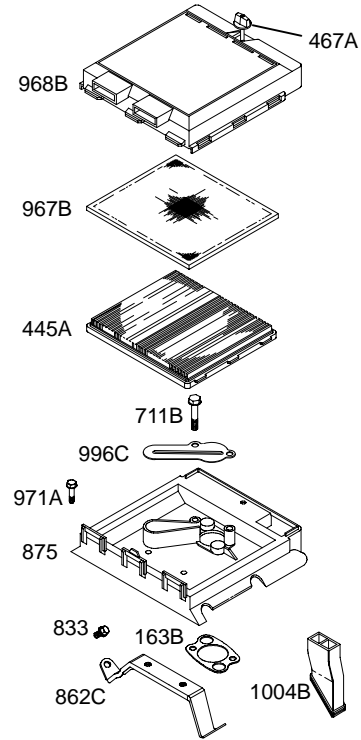
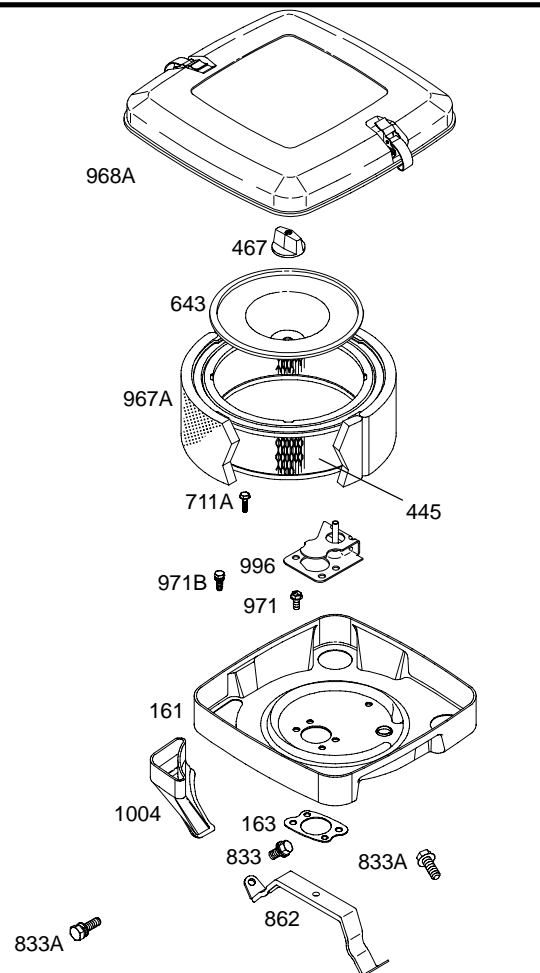




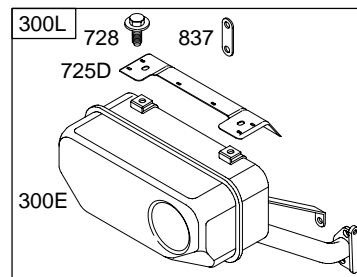
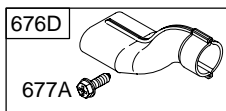
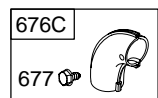
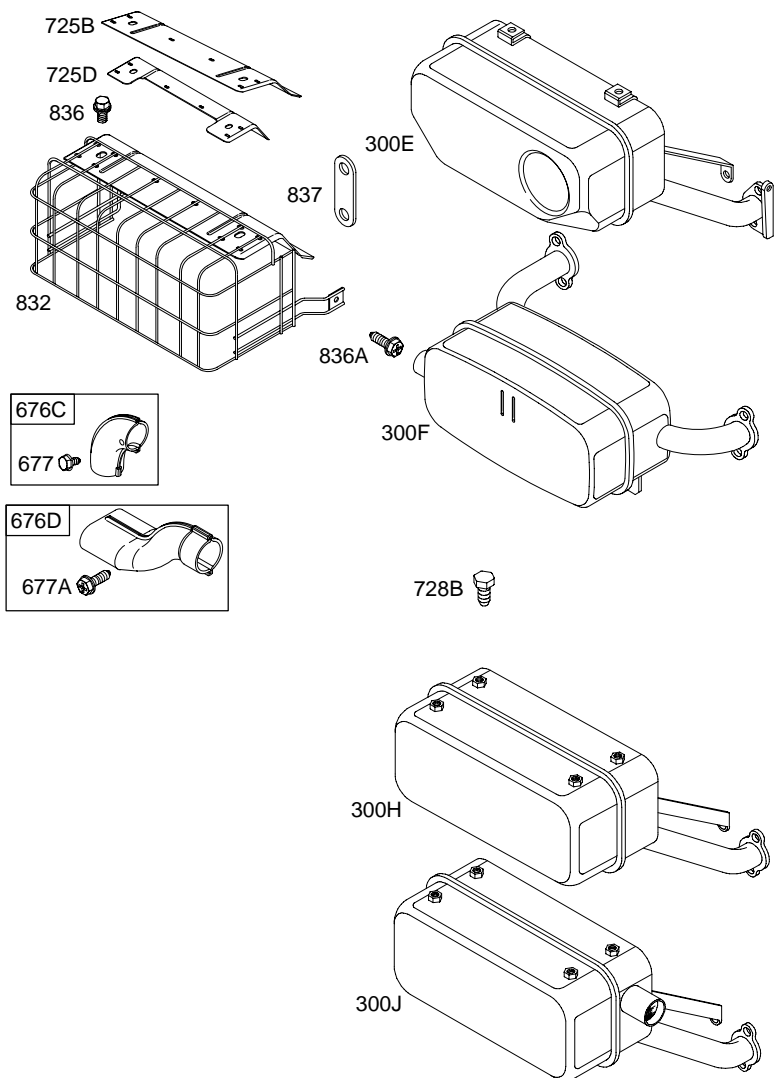
Illustrations cover a range of engines. Parts shown without corresponding text may not be used on your specific engine.



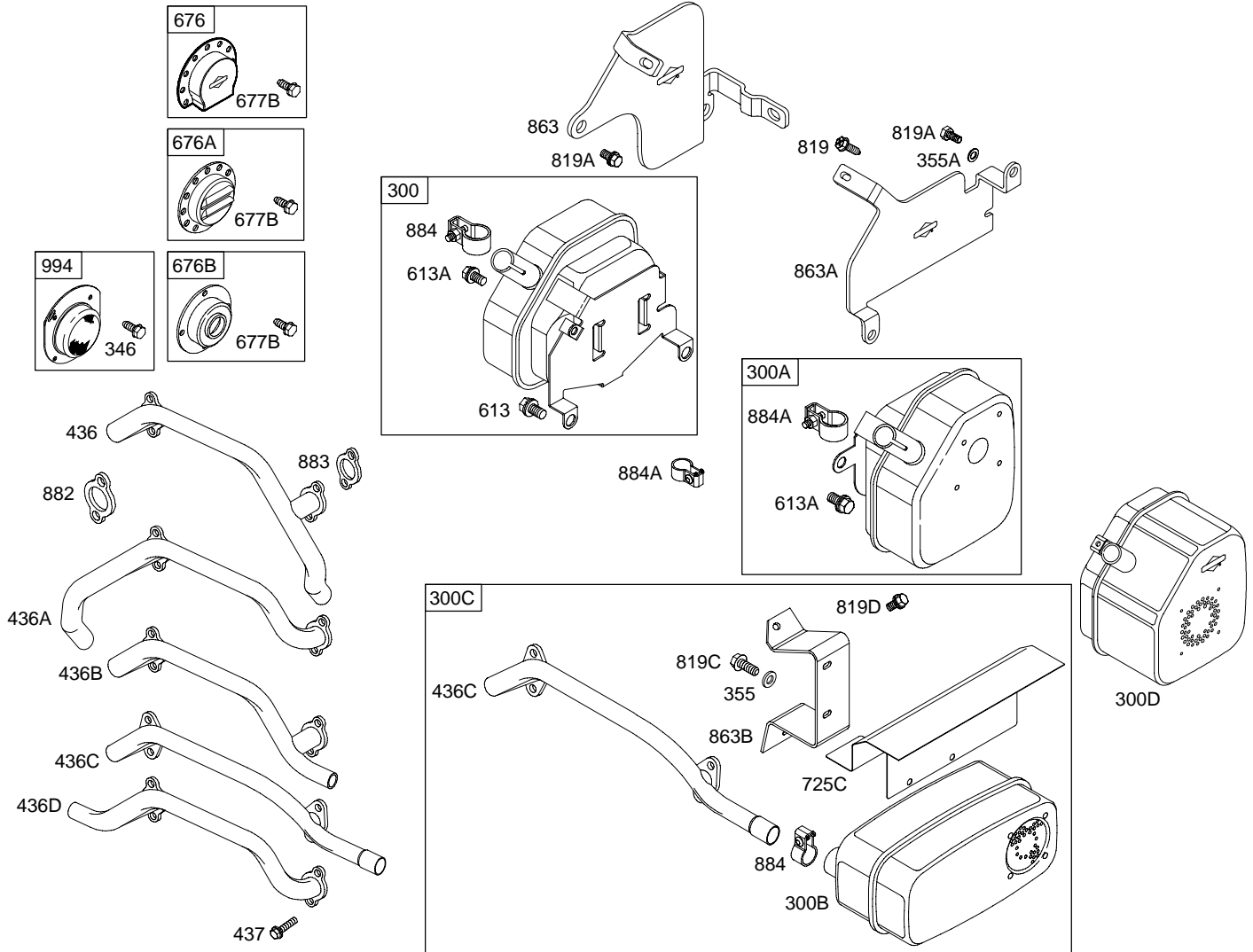
Illustrations cover a range of engines. Parts shown without corresponding text may not be used on your specific engine.
9691-8 Assemblies include all parts shown in frames. **03/15/2004**



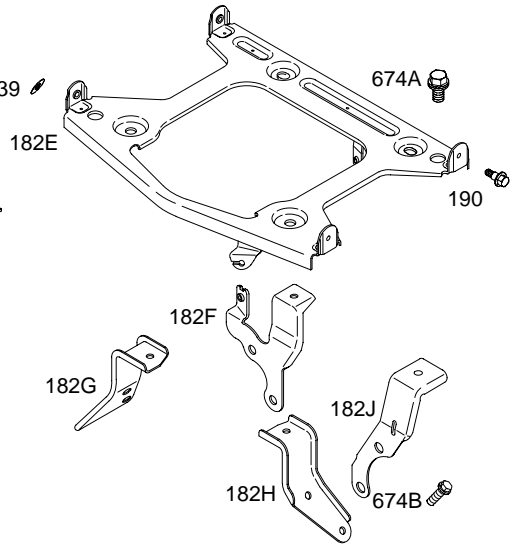
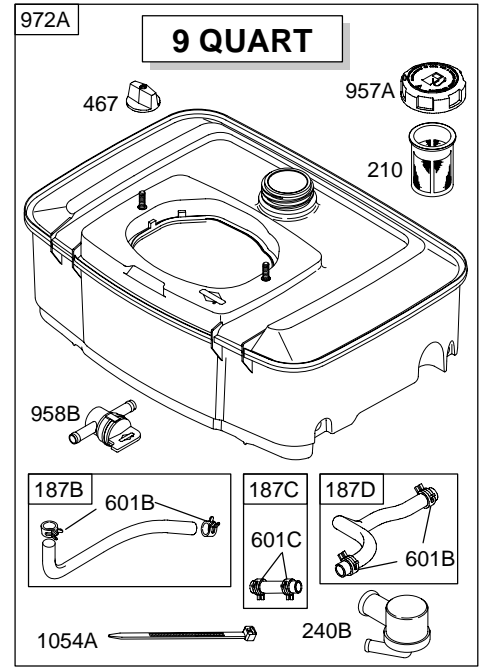
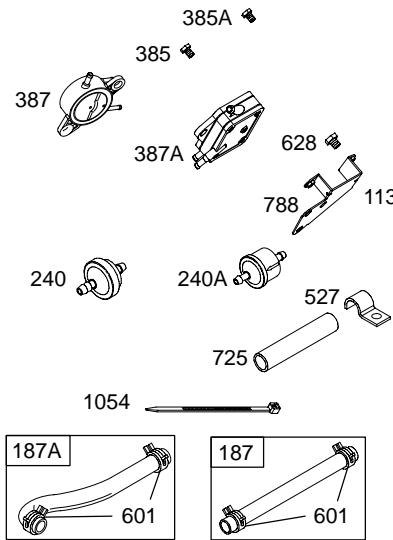
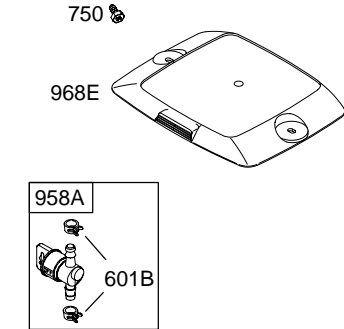
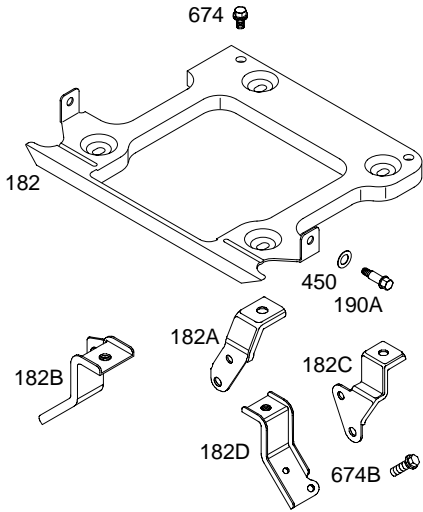
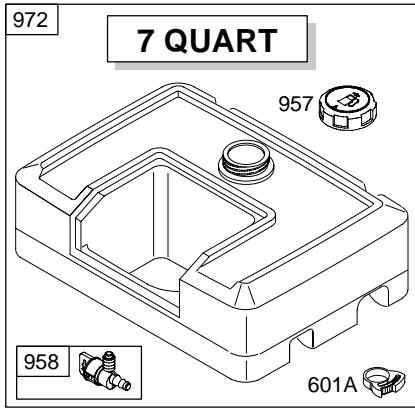
Illustrations cover a range of engines. Parts shown without corresponding text may not be used on your specific engine.
 9691-9 Assemblies include all parts shown in frames. 03/15/2004



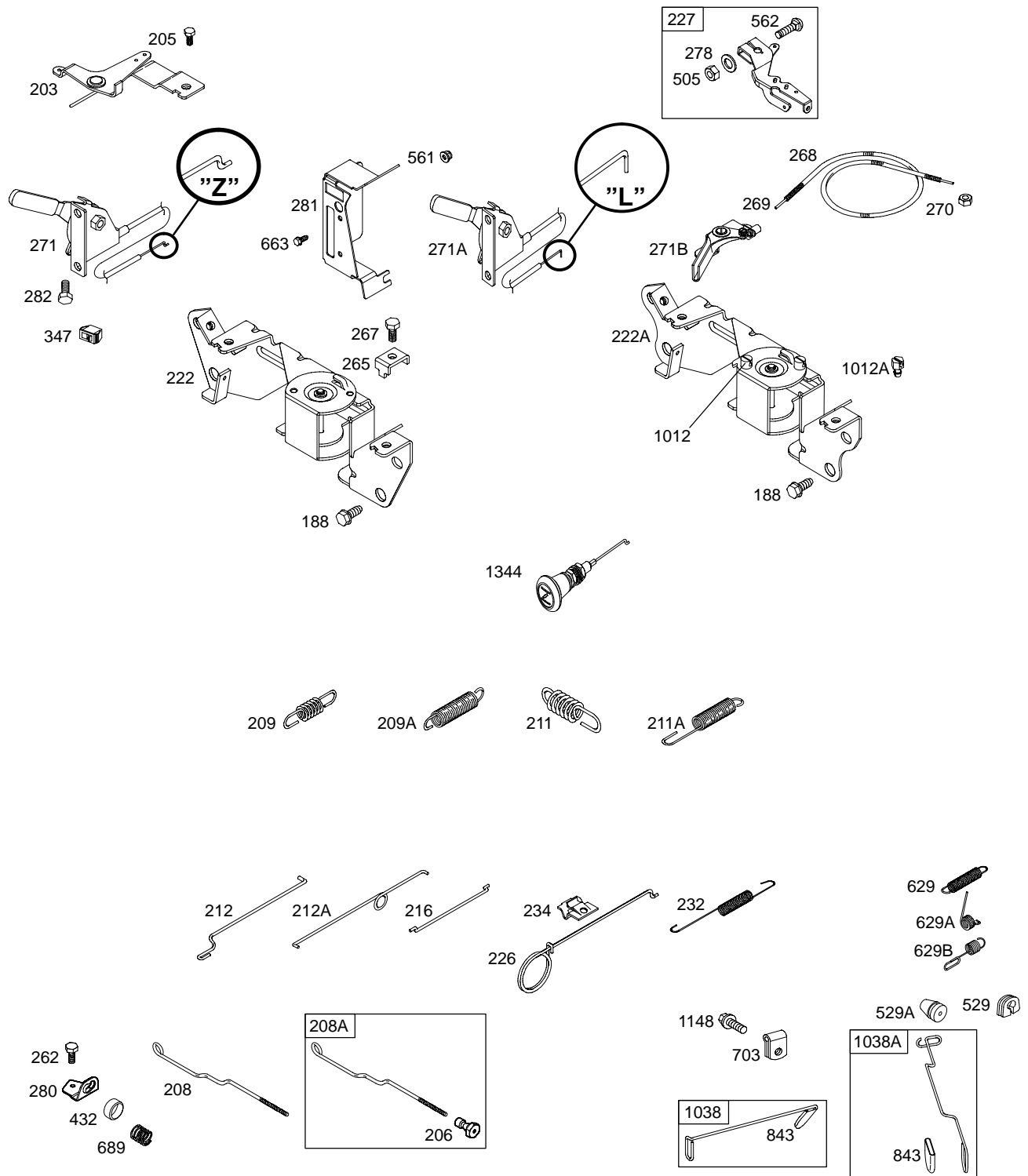
Illustrations cover a range of engines. Parts shown without corresponding text may not be used on your specific engine.



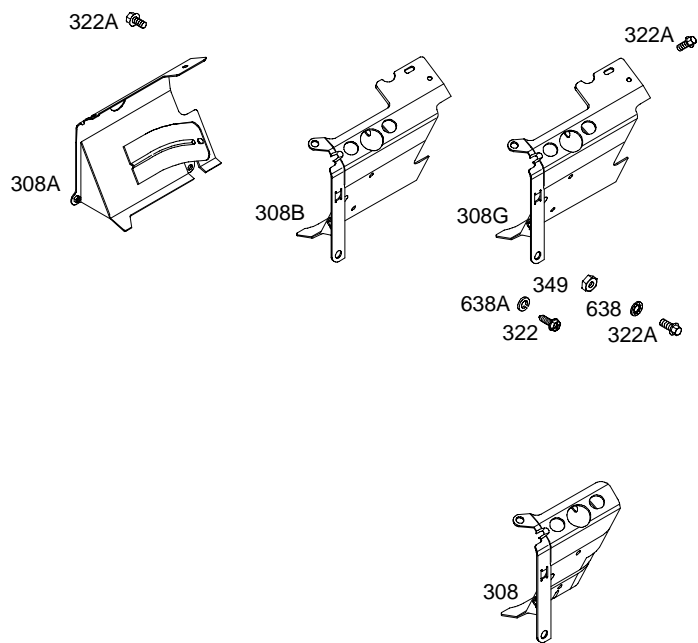
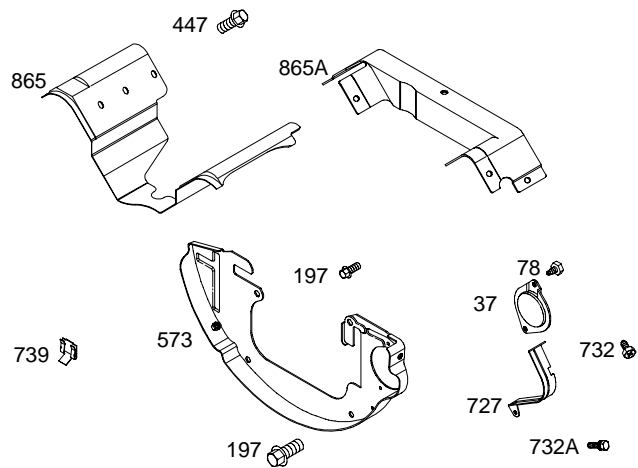
Illustrations cover a range of engines. Parts shown without corresponding text may not be used on your specific engine.
 9691-11 Assemblies include all parts shown in frames. 03/15/2004



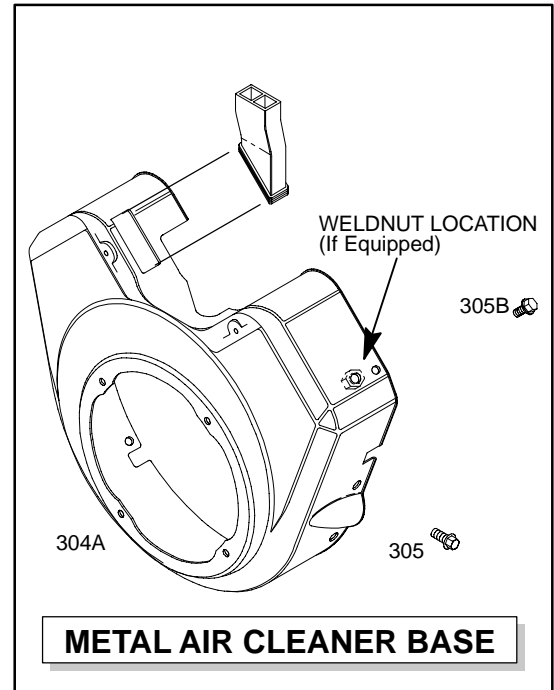
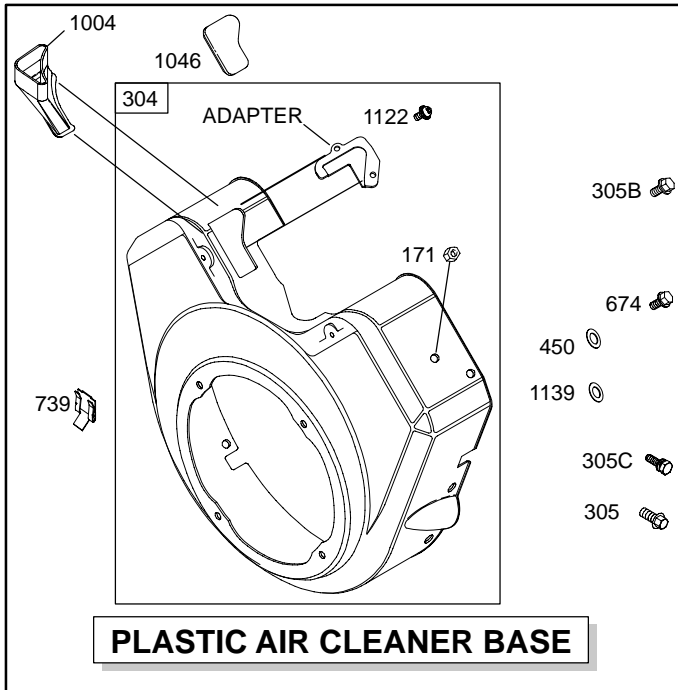
Illustrations cover a range of engines. Parts shown without corresponding text may not be used on your specific engine.
 9691-12 Assemblies include all parts shown in frames. 03/15/2004



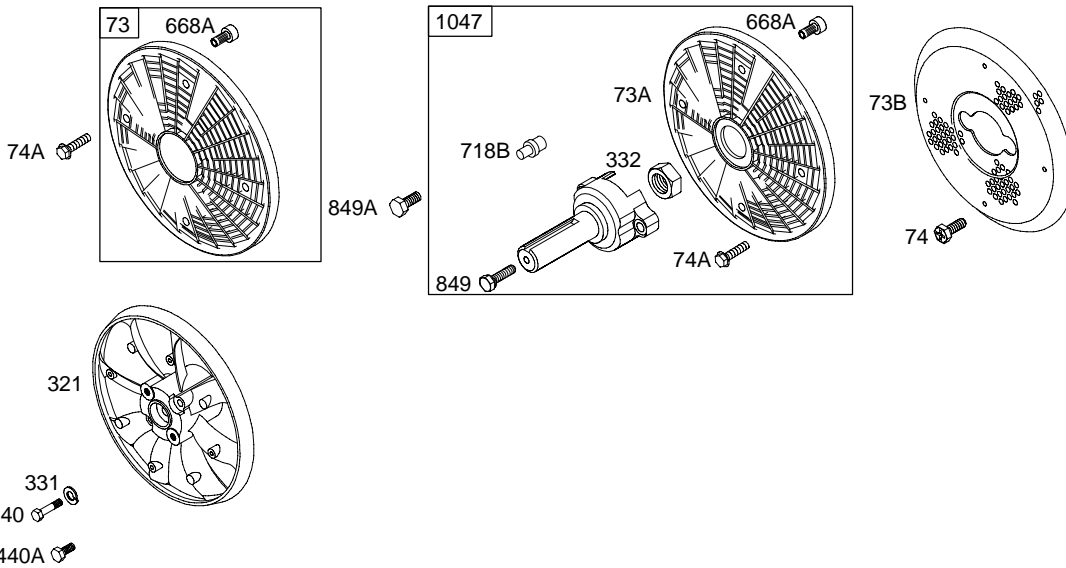
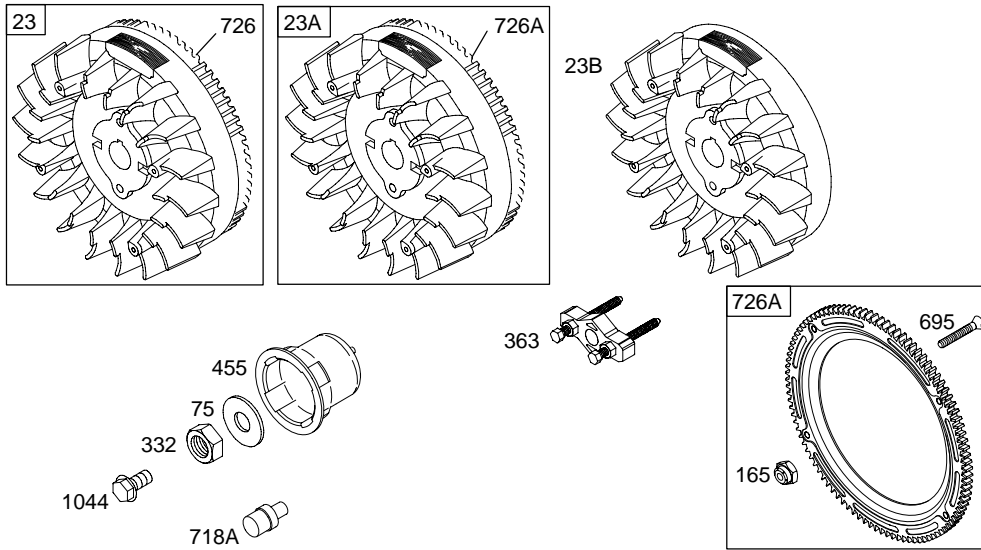
Illustrations cover a range of engines. Parts shown without corresponding text may not be used on your specific engine.
 9691-13 Assemblies include all parts shown in frames. 03/15/2004



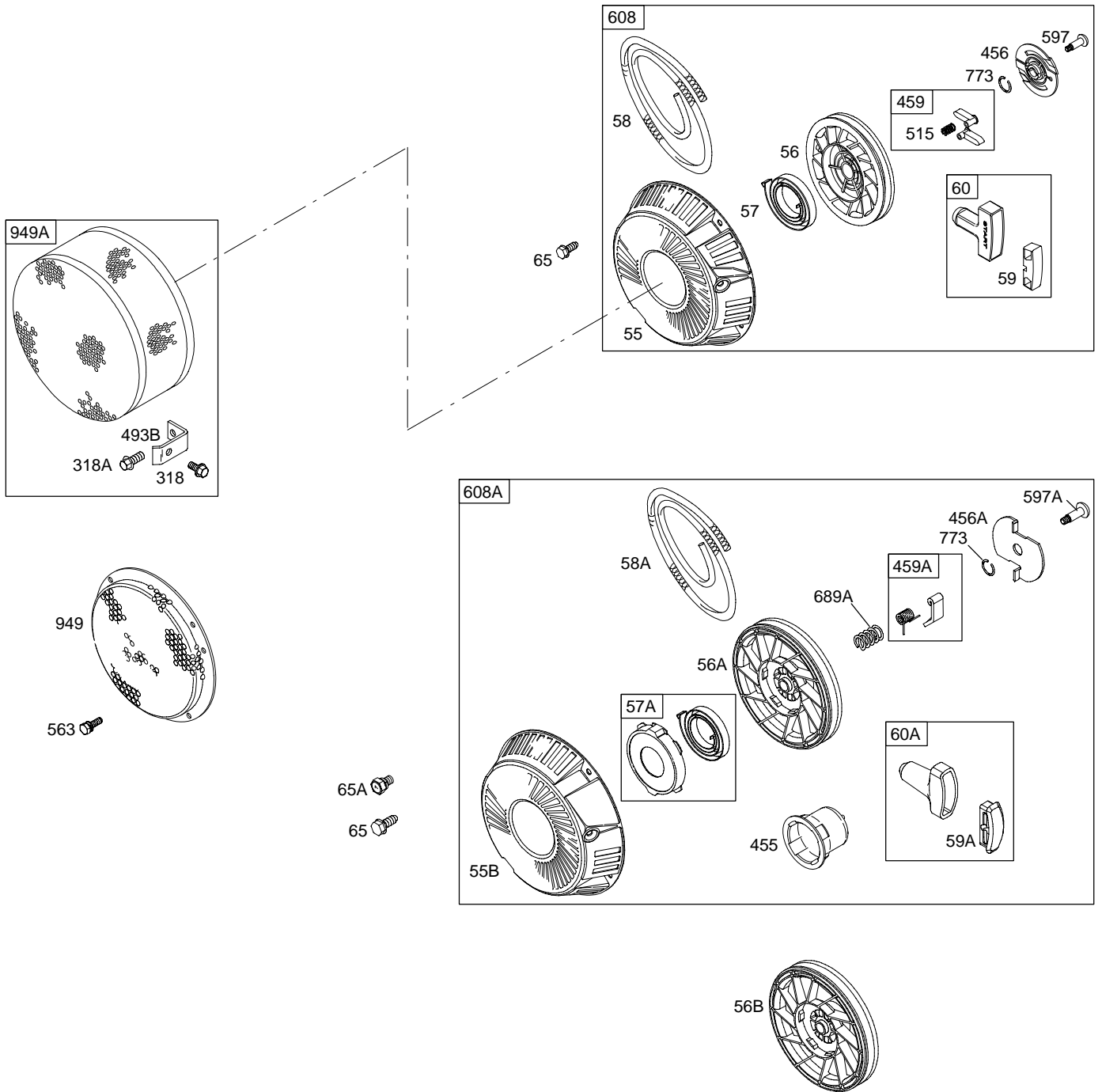
Illustrations cover a range of engines. Parts shown without corresponding text may not be used on your specific engine.
 9691-14 Assemblies include all parts shown in frames. 03/15/2004




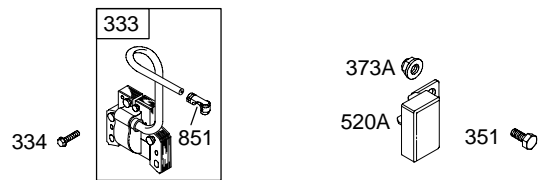
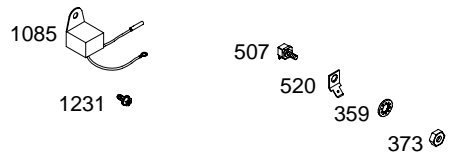
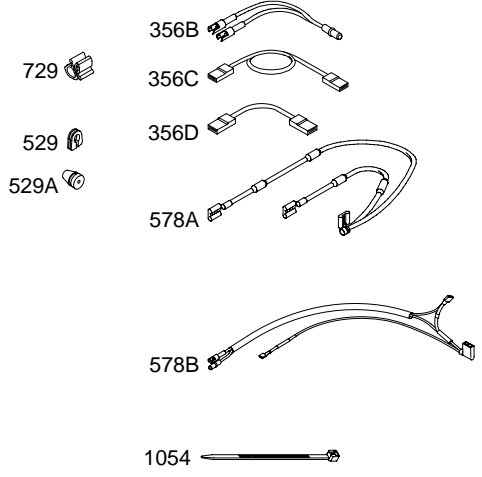
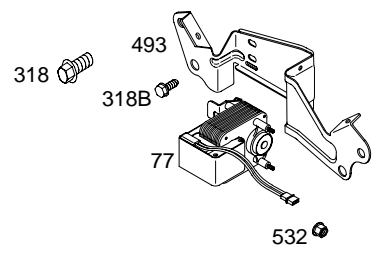
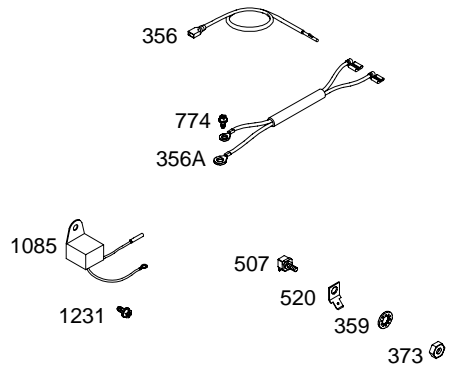
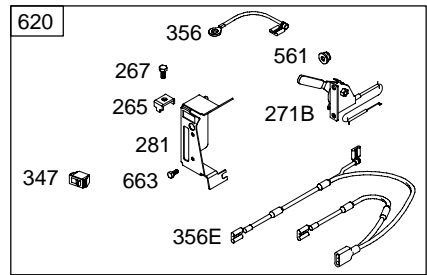
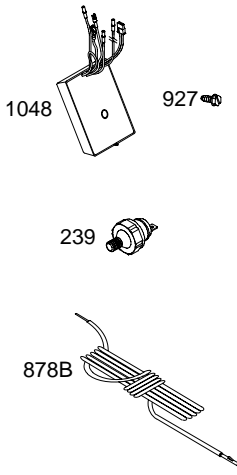
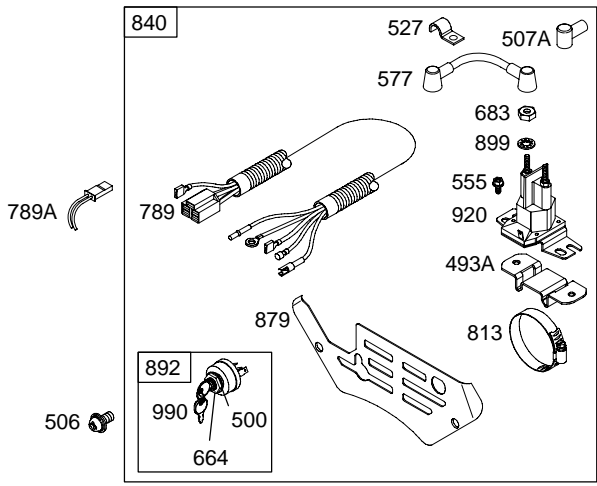
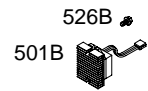
1036 EMISSION LABEL



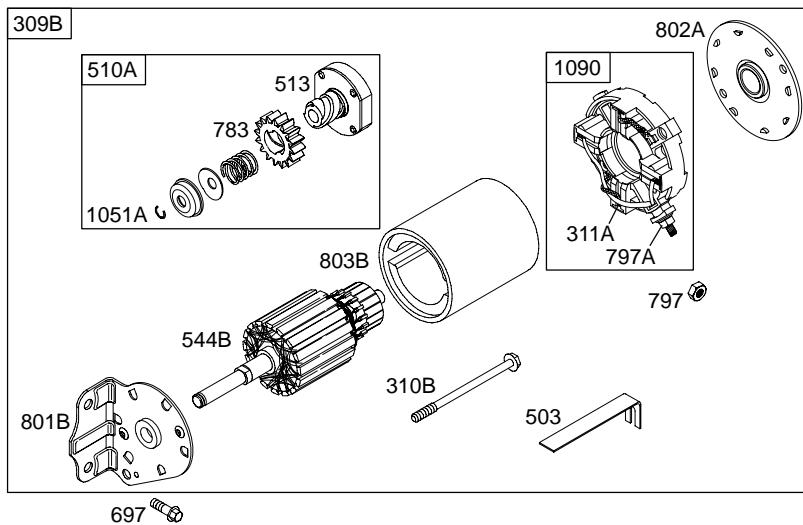
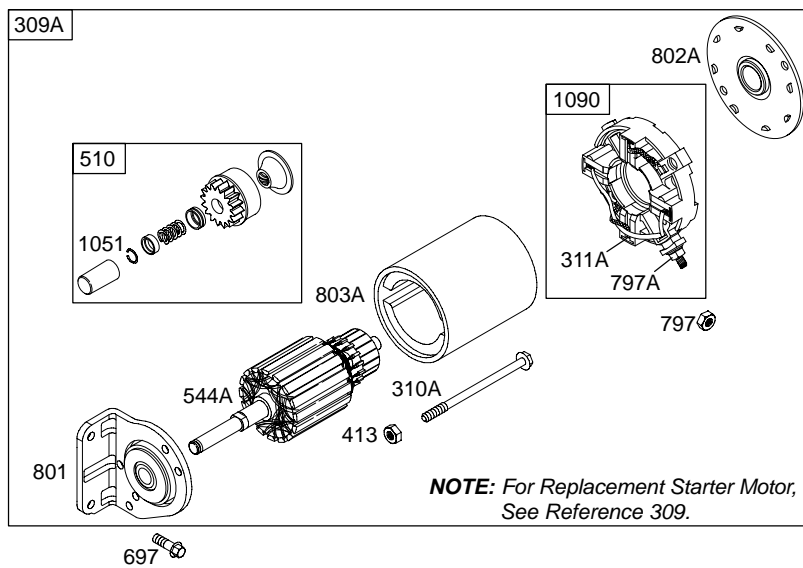
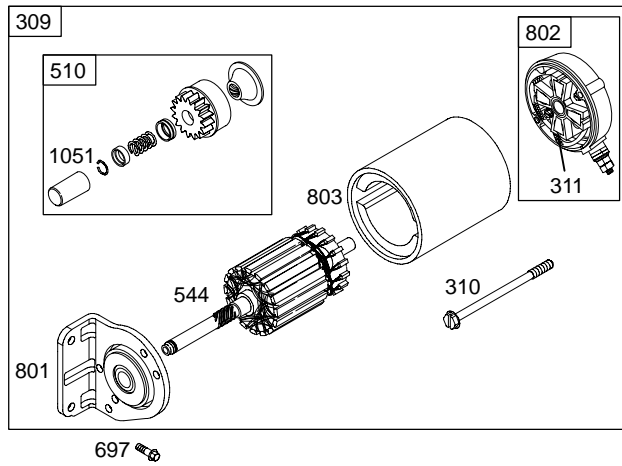
Illustrations cover a range of engines. Parts shown without corresponding text may not be used on your specific engine.
9691-16 Assemblies include all parts shown in frames. **03/15/2004**

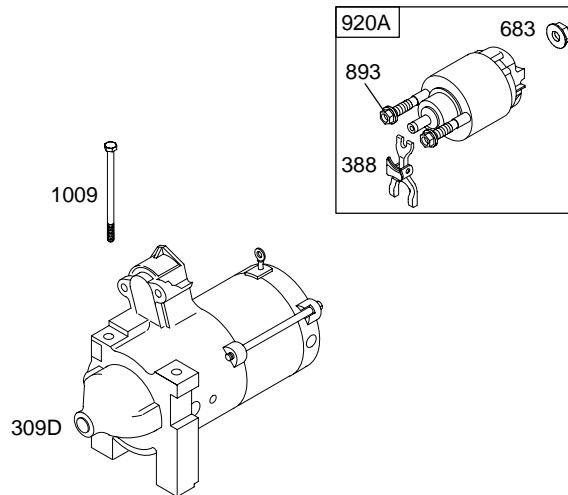
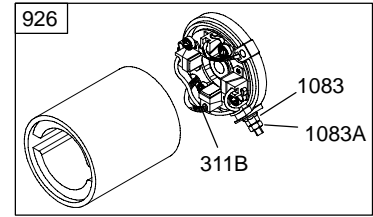
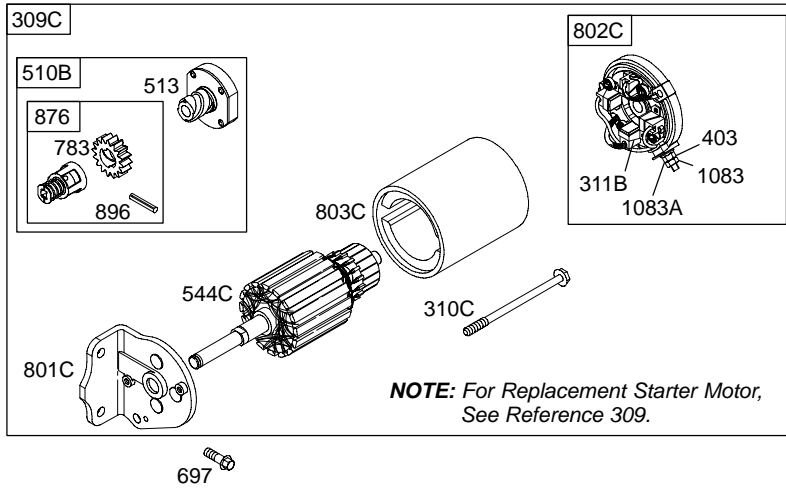


	DUAL CIRCUIT	5 – 9 AMP	10 – 16 AMP
	474B	474C	474D
	877	877B	877C
	878	578	578
<p>NOTE: All stators use a No. 1119 mounting screw. </p> <p>NOTE: The proper flywheel part number and/or the alternator magnet size will determine the alternator type or output. See repair instruction manual for additional information.</p>		526A 501A	526 501



Illustrations cover a range of engines. Parts shown without corresponding text may not be used on your specific engine.
9691-18 Assemblies include all parts shown in frames. **03/15/2004**





REF. NO.	PART NO.	DESCRIPTION	REF. NO.	PART NO.	DESCRIPTION	REF. NO.	PART NO.	DESCRIPTION
1	692178	Cylinder Assembly (Used After Code Date 97043000). ———— Note ———— 807521 Cylinder Assembly (Used Before Code Date 97050100). 841081 Cylinder Assembly Used on Type No(s). 1340, 1341.	10	690751	Screw (Breather Assembly) (Used After Code Date 90111400). ———— Note ———— 805194 Screw (Breather Assembly) (Used Before Code Date 90111500).			807590 Crankshaft (Used Before Code Date 97050100). Used on Type No(s). 0021, 0041, 0044, 0049, 0051, 0077, 0309, 0351, 0377, 0474, 1009, 1051, 1077, 1171, 1174, 1256.
2	808534	Kit–Bushing/Seal (Magneto Side) (Used After Code Date 97043000). ———— Note ———— 807687 Kit–Bushing/Seal (Magneto Side) (Used Before Code Date 97050100).	11	691556	Tube–Breather			692163 Crankshaft (Used After Code Date 97043000). Used on Type No(s). 1019, 1033, 1042, 1049, 1074, 1078, 1105, 1108, 1116, 1167, 1168, 1176, 1177, 1189, 1194, 1198, 1231, 1251, 1252, 1283, 1320, 1378, 1403, 1409.
3	★805101	Seal–Oil (Magneto Side)	11A	806083	Tube–Breather			
5	809200	Head–Cylinder (Cylinder 1)	12	★691684	Gasket–Crankcase			
5A	809201	Head–Cylinder (Cylinder 2)	13	692059	Screw (Cylinder Head)			
6	Δ805193	Washer (Cylinder Head) (Used Before Code Date 94050100).	15	690946	Plug–Oil Drain			
7	★Δ806085	Gasket–Cylinder Head (Graphoil) (Used After Code Date 96033100).	16	692161	Crankshaft (Used After Code Date 97043000). ———— Note ———— 807589 Crankshaft (Used Before Code Date 97050100). 692159 Crankshaft (Used After Code Date 97043000). Used on Type No(s). 1220.			
7A	★Δ807986	Gasket–Cylinder Head (Metal) (Used Before Code Date 96040100).						807586 Crankshaft (Used Before Code Date 97050100). Used on Type No(s). 0440, 1128, 1142, 1220.
8	808984	Breather Assembly						692162 Crankshaft (Used After Code Date 97043000). Used on Type No(s). 1077, 1171, 1256, 1377.
9	★809094	Gasket–Breather						

★ Included in Engine Gasket Set–Ref. No. 358.

● Included in Carburetor Overhaul Kit–Ref. No. 121.

◆ Included in Carburetor Gasket Set–Ref. No. 977.

Δ Included in Valve Gasket Set–Ref. No. 1095.

Illustrations cover a range of engines. Parts shown without corresponding text may not be used on your specific engine.

303400

REF. NO.	PART NO.	DESCRIPTION	REF. NO.	PART NO.	DESCRIPTION	REF. NO.	PART NO.	DESCRIPTION
	807745	Crankshaft (Used Before Code Date 97050100). Used on Type No(s). 0022, 0027, 0028, 0035, 0037, 0042, 0044, 0052, 0054, 0060, 0061, 0074, 0078, 0084, 0085, 0092, 0123, 0129, 0130, 0136, 0312, 0315, 0317, 0319, 0321, 0325, 0327, 0339, 0342, 0344, 0350, 0352, 0354, 0360, 0362, 0365, 0366, 0373, 0374, 0378, 0382, 0385, 0391, 0392, 0394, 0396, 0397, 0399, 0404, 0405, 0415, 0416, 0417, 0419, 0420, 0425, 0427, 0428, 0430, 0435, 0450, 0453, 0458, 0464, 0475, 0476, 0477, 0481, 0488, 0489, 0494, 0495, 0496, 0498, 0501, 0502, 0505, 0518, 1012, 1013, 1015, 1017, 1019, 1021, 1025, 1031, 1033, 1042, 1044, 1049, 1054, 1060, 1062, 1066, 1073, 1074, 1078, 1087, 1094, 1104, 1105, 1108, 1111, 1114, 1116, 1118, 1119, 1120, 1127, 1129, 1131, 1133, 1141, 1158, 1159, 1164, 1167, 1168, 1175, 1176, 1177, 1181, 1189, 1194, 1195, 1196, 1198, 1205, 1208, 1218, 1231, 1250, 1251, 1252, 1257, 1262.		692165	Crankshaft (Used After Code Date 97043000). Used on Type No(s). 1232, 1293, 1346, 1412, 1413, 1421, 1425, 1432. 807806 Crankshaft (Used Before Code Date 97050100). Used on Type No(s). 1232. 692166 Crankshaft (Used After Code Date 97043000). Used on Type No(s). 1162. 807849 Crankshaft (Used Before Code Date 97050100). Used on Type No(s). 0133, 0412, 0462, 1112, 1162. 692167 Crankshaft (Used After Code Date 97043000). Used on Type No(s). 1138. 807851 Crankshaft (Used Before Code Date 97050100). Used on Type No(s). 0138, 0139, 0438, 0439, 0491, 0492, 1138, 1149, 1191, 1192, 1217. 808000 Crankshaft Used on Type No(s). 0446. 692168 Crankshaft (Used After Code Date 97043000). Used on Type No(s). 1180. 808056 Crankshaft (Used Before Code Date 97050100). Used on Type No(s). 0456, 0480, 1180.		692169 Crankshaft (Used After Code Date 97043000). Used on Type No(s). 1238. 808296 Crankshaft (Used Before Code Date 97050100). Used on Type No(s). 1238. 808975 Crankshaft Used on Type No(s). 1381, 1410. 808740 Crankshaft Used on Type No(s). 1303, 1318, 1338, 1385. 17 690752 Bearing–Ball ———— Note ———— 691541 Bearing–Ball Used on Type No(s). 1238, 1256, 1313. 18 808847 Cover–Crankcase ———— Note ———— 808506 Cover–Crankcase Used on Type No(s). 0133, 0412, 1112, 1155, 1174. 808851 Cover–Crankcase Used on Type No(s). 1238, 1256, 1313. 808508 Cover–Crankcase Used on Type No(s). 1104, 1105, 1108, 1191, 1192, 1252, 1283, 1381, 1409, 1410. 20 *805049 Seal–Oil (PTO Side) 22 692540 Screw (Crankcase Cover/Sump)	

★ Included in Engine Gasket Set–Ref. No. 358.

● Included in Carburetor Overhaul Kit–Ref. No. 121.

◆ Included in Carburetor Gasket Set–Ref. No. 977.

△ Included in Valve Gasket Set–Ref. No. 1095.

Illustrations cover a range of engines. Parts shown without corresponding text may not be used on your specific engine.

REF. NO.	PART NO.	DESCRIPTION	REF. NO.	PART NO.	DESCRIPTION	REF. NO.	PART NO.	DESCRIPTION
23	808766	Flywheel (Steel Ring Gear) ———— Note ———— 808774 Flywheel (Steel Ring Gear) Used on Type No(s). 1232, 1293, 1346, 1412, 1421, 1425, 1432, 1434. 808770 Flywheel (Steel Ring Gear) Used on Type No(s). 1057, 1110, 1236, 1278, 1295, 1306, 1311, 1322, 1331, 1384, 1416.	29	807900	Rod—Connecting (Standard) ———— Note ———— 807803 Rod—Connecting (.020" Undersize)	50	690754	Manifold—Intake
23A	690892	Flywheel (Aluminum Ring Gear) ———— Note ———— 690891 Flywheel (Aluminum Ring Gear) Used on Type No(s). 1232, 1293. 692158 Flywheel (Aluminum Ring Gear) Used on Type No(s). 1057, 1278, 1295.	32	690698	Screw (Connecting Rod)	50A	692124	Manifold—Intake Used on Type No(s). 1156, 1279, 1381, 1409, 1410.
23B	690889	Flywheel (Rewind Starter)	33	807681	Valve—Exhaust	51A	Δ★692035	Gasket—Intake (Manifold to Head)
25	807619	Piston Assembly (Standard) ———— Note ———— 807809 Piston Assembly (.020" Oversize)	34	807680	Valve—Intake	51C	★691694	Gasket—Intake (Carburetor To Manifold)
26	807620	Ring Set (Standard) ———— Note ———— 807810 Ring Set (.020" Oversize) 807812 Ring Set (.030" Oversize)	35	692084	Spring—Valve (Intake) (Used After Code Date 94011700).	54	690676	Screw (Intake Manifold)
27	690683	Lock—Piston Pin	36	692084	Spring—Valve (Exhaust)	55	691568	Housing—Rewind Starter
28	807621	Pin—Piston (Standard)	37	690715	Guard—Flywheel (Black) ———— Note ———— 805504 Guard—Flywheel (Red) 841309 Guard—Flywheel Used on Type No(s). 1343, 1346, 1450.	55B	492193	Housing—Rewind Starter
			39	690745	Deflector—Oil (Used After Code Date 98050700).	56	692085	Pulley—Starter
			40	692058	Retainer—Valve	56A	280918	Pulley—Starter
			42	807683	Keeper—Valve	56B	281235	Pulley—Starter Used on Type No(s). 0448.
			45	690977	Tappet—Valve	57	692086	Spring—Rewind Starter
			46	691557	Camshaft ———— Note ———— 692157 Camshaft Used on Type No(s). 0404, 0405, 0491, 0492, 1104, 1105, 1108, 1191, 1192, 1252, 1283, 1320, 1381, 1409, 1410.	57A	492194	Spring—Rewind Starter
						58	66574	Rope—Starter (Cut To Required Length)
						58A	695002	Rope—Starter (Cut To Required Length)
						59	805957	Insert—Grip
						59A	490653	Insert—Grip
						60	808167	Grip—Starter Rope
						60A	490652	Grip—Starter Rope
						65	691982	Screw (Rewind Starter)

★ Included in Engine Gasket Set—Ref. No. 358.

● Included in Carburetor Overhaul Kit—Ref. No. 121.

◆ Included in Carburetor Gasket Set—Ref. No. 977.

Δ Included in Valve Gasket Set—Ref. No. 1095.

Illustrations cover a range of engines. Parts shown without corresponding text may not be used on your specific engine.

303400

REF. NO.	PART NO.	DESCRIPTION	REF. NO.	PART NO.	DESCRIPTION	REF. NO.	PART NO.	DESCRIPTION
65A	841233	Screw (Rewind Starter) (Used After Code Date 03120900). ———— Note ———— 692539 Screw (Rewind Starter) (Used Before Code Date 03121000).	97	807720	Shaft–Throttle ———— Note ———— 841498 Shaft–Throttle Used on Type No(s). 1326. 809007 Shaft–Throttle Used on Type No(s). 1343, 1344, 1444, 1450.	102A	●692077	Gasket–Carburetor Body
73	494439	Screen–Rotating (Flush)	97A	808973	Shaft–Throttle Used on Type No(s). 1408.	104	●690723	Pin–Float Hinge
73A	690749	Screen–Rotating (With Stub Shaft Hole)	97B	808963	Shaft–Throttle Used on Type No(s). 1409.	105A	●805620	Valve–Float Needle (Gravity Feed) Used on Type No(s). 0036, 0037, 0040, 0047, 0048, 0049, 0054, 0055, 0057, 0058, 0070, 0076, 0085, 0129, 0130, 0133, 0137, 0138, 0139, 0140, 0141, 0142, 0308, 0312, 0317, 0321, 0325, 0340, 0347, 0348, 0350, 0354, 0355, 0357, 0358, 0362, 0366, 0370, 0372, 0373, 0376, 0385, 0391, 0394, 0397, 0401, 0403, 0412, 0413, 0423, 0424, 0426, 0428, 0437, 0438, 0439, 0448, 0458, 0474, 0481, 0491, 0492, 0494, 0510, 0518, 1008, 1012, 1017, 1021, 1025, 1040, 1047, 1048, 1054, 1055, 1058, 1062, 1066, 1070, 1072, 1073, 1076, 1112, 1113, 1124, 1148, 1158, 1174, 1178, 1181, 1191, 1192, 1194, 1330, 1341, 1427, 1434, 1439.
73B	690478	Screen–Rotating	97D	809095	Shaft–Throttle Used on Type No(s). 1320, 1381, 1410.	108A	690719	Valve–Choke
74	691655	Screw (Rotating Screen)	98	808177	Kit–Idle Speed ———— Note ———— 807718 Kit–Idle Speed Used on Type No(s). 1331.			
74A	691647	Screw (Rotating Screen) ———— Note ———— 692056 Screw (Rotating Screen)	98A	808981	Kit–Idle Speed Used on Type No(s). 1408.			
75	691490	Washer (Flywheel)						
77	690819	Motor–Servo						
78	690688	Screw (Flywheel Guard)						
91	807919	Body–Upper Carburetor (Used After Code Date 90113000). ———— Note ———— 807721 Body–Upper Carburetor (Used Before Code Date 90120100). 808964 Body–Upper Carburetor Used on Type No(s). 1319, 1320, 1326, 1409. 808980 Body–Upper Carburetor Used on Type No(s). 1381, 1410. 809208 Body–Upper Carburetor Used on Type No(s). 1236, 1311, 1331, 1334, 1344, 1433, 1444.						
94	●808257	Kit–Idle Mixture						
95	690718	Screw (Throttle Valve)						

★ Included in Engine Gasket Set–Ref. No. 358.

● Included in Carburetor Overhaul Kit–Ref. No. 121.

◆ Included in Carburetor Gasket Set–Ref. No. 977.

△ Included in Valve Gasket Set–Ref. No. 1095.

Illustrations cover a range of engines. Parts shown without corresponding text may not be used on your specific engine.

REF. NO.	PART NO.	DESCRIPTION	REF. NO.	PART NO.	DESCRIPTION	REF. NO.	PART NO.	DESCRIPTION
109	807722	Shaft–Choke	121B	809022	Kit–Carburetor Overhaul (Used After Code Date 00071100).		809013	Carburetor (Gravity Feed Without Solenoid) (Used After Code Date 00071100).
109A	808962	Shaft–Choke Used on Type No(s). 1319, 1320, 1326, 1409.			———— Note ————			Used on Type No(s). 1008, 1012, 1017, 1021, 1023, 1025, 1027, 1028, 1030, 1031, 1033, 1034, 1035, 1036, 1040, 1041, 1047, 1048, 1049, 1054, 1055, 1057, 1058, 1062, 1066, 1068, 1070, 1072, 1073, 1076, 1087, 1094, 1095, 1107, 1111, 1113, 1114, 1116, 1118, 1124, 1130, 1131, 1134, 1138, 1140, 1141, 1144, 1145, 1148, 1149, 1157, 1158, 1159, 1169, 1171, 1172, 1174, 1178, 1181, 1191, 1192, 1194, 1208, 1214, 1217, 1218, 1219, 1223, 1231, 1238, 1240, 1246, 1251, 1255, 1258, 1262, 1267, 1275, 1276, 1277, 1298, 1299, 1300, 1303, 1323, 1327, 1341, 1341, 1343, 1368, 1427, 1434, 1439, 1450.
109B	809096	Shaft–Choke Used on Type No(s). 1331, 1334, 1341, 1343, 1344, 1410, 1420, 1433, 1434, 1439, 1444, 1450.	121F	809023	Kit–Carburetor Overhaul (Used After Code Date 00071100).			
110	806861	Washer (Choke Shaft)			Used on Type No(s). 1409, 1410, 1413.			
117B	●690862	Jet–Main (Standard) ———— Note ———— 806859 Jet–Main (Standard) Used on Type No(s). 1320. 690741 Jet–Main (Standard) Used on Type No(s). 1236, 1311, 1331. 690880 Jet–Main (Standard) Used on Type No(s). 1314, 1319, 1326.	122	690691	Spacer–Carburetor			
			125B	809011	Carburetor (Pump Feed Without Solenoid) ———— Note ———— 809016 Carburetor (Pump Feed Without Solenoid) Used on Type No(s). 0393, 1182, 1236, 1311, 1331.			
118	●805537	Jet–Main (High Altitude) ———— Note ———— 807114 Jet–Main (High Altitude) Used on Type No(s). 1320. 807115 Jet–Main (High Altitude) Used on Type No(s). 1319.						
119	690720	Screw (Upper To Lower Carburetor Body)						809014 Carburetor (Gravity Feed With Solenoid) (Used After Code Date 00071100). Used on Type No(s). 1112, 1210, 1235, 1237, 1285. 808602 Carburetor (Gravity Feed With Solenoid) (Used Before Code Date 00071200). Used on Type No(s). 1112, 1210, 1235, 1237, 1285.

★ Included in Engine Gasket Set–Ref. No. 358.

● Included in Carburetor Overhaul Kit–Ref. No. 121.

◆ Included in Carburetor Gasket Set–Ref. No. 977.

△ Included in Valve Gasket Set–Ref. No. 1095.

Illustrations cover a range of engines. Parts shown without corresponding text may not be used on your specific engine.

303400

REF. NO.	PART NO.	DESCRIPTION	REF. NO.	PART NO.	DESCRIPTION	REF. NO.	PART NO.	DESCRIPTION
	808972	Carburetor Used on Type No(s). 1408.	127	●690727	Plug–Welch	163	★692081	Gasket–Air Cleaner
	808965	Carburetor Used on Type No(s). 1409.	130A	690726	Valve–Throttle	163B	★692052	Gasket–Air Cleaner
	808979	Carburetor Used on Type No(s). 1381, 1410.	133A	806961	Float–Carburetor	165	693148	Nut (Ring Gear)
	809092	Carburetor Used on Type No(s). 1314, 1319.	142A	●690725	Nozzle–Carburetor (Standard)	167	692297	Seal–Air Cleaner Nut
	809152	Carburetor Used on Type No(s). 1320, 1409.	142B	●806860	Nozzle–Carburetor (Standard) Used on Type No(s). 1320.	171	810056	Nut (Air Cleaner)
	809013	Carburetor (Gravity Feed Without Solenoid) Used on Type No(s). 1008, 1012, 1017, 1021, 1023, 1025, 1027, 1028, 1030, 1031, 1033, 1034, 1035, 1036, 1040, 1041, 1047, 1048, 1049, 1054, 1055, 1057, 1058, 1062, 1066, 1068, 1070, 1072, 1073, 1076, 1087, 1094, 1095, 1107, 1111, 1113, 1114, 1116, 1118, 1124, 1130, 1131, 1134, 1138, 1140, 1141, 1144, 1145, 1148, 1149, 1157, 1158, 1159, 1169, 1171, 1172, 1174, 1178, 1181, 1191, 1192, 1194, 1208, 1214, 1217, 1218, 1219, 1223, 1231, 1238, 1240, 1246, 1251, 1255, 1258, 1262, 1267, 1275, 1276, 1277, 1298, 1299, 1300, 1303, 1323, 1327, 1341, 1341, 1343, 1368, 1427, 1434, 1439, 1450.	146	691639	Key–Timing	182	492317	Bracket–Fuel Tank
			161	691561	Base–Air Cleaner (Metal) Note 806987 Nozzle–Carburetor (Standard) Used on Type No(s). 1319, 1326.	182A	690778	Bracket–Fuel Tank
					690909 Base–Air Cleaner (Metal) Used on Type No(s). 0452, 0463, 0468, 0490, 0493, 1131, 1152, 1188, 1190, 1193, 1269, 1291, 1292, 1296, 1297, 1315, 1344, 1381, 1410, 1420, 1433, 1444.	182B	690779	Bracket–Fuel Tank
			161B	808414	Base–Air Cleaner (Metal) Used on Type No(s). 1023, 1027, 1028, 1030, 1033, 1034, 1049, 1057, 1068, 1069, 1095, 1116, 1130, 1134, 1140, 1145, 1169, 1171, 1223, 1231, 1237, 1238, 1258, 1275, 1277, 1298, 1299, 1300, 1303, 1306, 1312, 1313, 1318, 1322, 1323, 1327, 1330, 1341, 1343, 1368, 1385, 1425, 1429, 1434, 1439, 1450.	182C	690780	Bracket–Fuel Tank
						182D	690781	Bracket–Fuel Tank
						182E	841601	Bracket–Fuel Tank
						182F	691520	Bracket–Fuel Tank
						182G	841600	Bracket–Fuel Tank
						182H	691524	Bracket–Fuel Tank
						182J	691525	Bracket–Fuel Tank
						187	296004	Line–Fuel (Cut To Required Length) Note 691050 Line–Fuel (Cut To Required Length) Used on Type No(s). 1340, 1344, 1381, 1385, 1420, 1429, 1444, 1449.
						187A	691049	Line–Fuel (Molded)
						187B	692107	Line–Fuel
						187C	692106	Line–Fuel
						187D	692108	Line–Fuel
						188	692056	Screw (Control Bracket)
						190	692199	Screw (Fuel Tank) Note 692056 Screw (Fuel Tank) Used on Type No(s). 1338.
						190A	94536	Screw (Fuel Tank)

★ Included in Engine Gasket Set–Ref. No. 358.

● Included in Carburetor Overhaul Kit–Ref. No. 121.

◆ Included in Carburetor Gasket Set–Ref. No. 977.

△ Included in Valve Gasket Set–Ref. No. 1095.

Illustrations cover a range of engines. Parts shown without corresponding text may not be used on your specific engine.

REF. NO.	PART NO.	DESCRIPTION	REF. NO.	PART NO.	DESCRIPTION	REF. NO.	PART NO.	DESCRIPTION
192	807623	Adjuster–Rocker Arm		691507	Spring–Governor		805630	Spring–Governor
197	841233	Screw (Back Plate) (Used After Code Date 03120900).			Used on Type No(s). 0326, 1026, 1270, 1319, 1330, 1426.			Used on Type No(s). 0129, 0130, 0138, 0139, 0438, 0439, 1138, 1149, 1217.
		——— Note ———		690710	Spring–Governor		806869	Spring–Governor
		692539 Screw (Back Plate) (Used Before Code Date 03121000).			Used on Type No(s). 0493, 1193, 1291, 1334.			Used on Type No(s). 1408.
		807163 Screw (Back Plate)		692071	Spring–Governor	209A	690709	Spring–Governor
203	690923	Crank–Bell			Used on Type No(s). 0064, 0093, 0132, 0364, 0393, 0440, 0443, 0482, 0486, 1018, 1052, 1064, 1093, 1128, 1142, 1143, 1153, 1182, 1186, 1220, 1236, 1272, 1281, 1290, 1344.			Used on Type No(s). 0027, 0036, 0054, 0060, 0061, 0074, 0084, 0085, 0092, 0123, 0133, 0136, 0312, 0313, 0315, 0317, 0319, 0321, 0325, 0327, 0339, 0350, 0354, 0360, 0362, 0365, 0366, 0373, 0374, 0382, 0385, 0391, 0392, 0394, 0397, 0399, 0412, 0416, 0417, 0419, 0420, 0427, 0428, 0430, 0435, 0453, 0458, 0464, 0475, 0476, 0477, 0481, 0488, 0489, 0495, 0496, 0501, 0502, 0505, 0518, 1012, 1013, 1015, 1017, 1019, 1021, 1025, 1031, 1033, 1049, 1054, 1060, 1062, 1066, 1073, 1074, 1087, 1094, 1111, 1112, 1114, 1116, 1118, 1119, 1120, 1127, 1129, 1131, 1133, 1141, 1158, 1159, 1164, 1167, 1168, 1175, 1176, 1177, 1181, 1189, 1195, 1196, 1205, 1208, 1218, 1231, 1250, 1251, 1262, 1403.
205	692083	Screw (Bell Crank)						
206	691244	Nut–Governor Adjusting						
208	691549	Rod–Governor Control (Used After Code Date 96033100).						
208A	808453	Rod–Governor Control						
209	692070	Spring–Governor						
		——— Note ———		691508	Spring–Governor			
		691506 Spring–Governor Used on Type No(s). 0022, 0028, 0036, 0037, 0042, 0044, 0052, 0078, 0129, 0130, 0342, 0344, 0352, 0378, 0396, 0415, 0425, 0450, 0462, 0494, 0498, 1042, 1044, 1078, 1162, 1194, 1198, 1257, 1378.			Used on Type No(s). 0045, 0345, 0423, 0446, 0451, 0456, 0480, 0497, 1151, 1157, 1170, 1180, 1197, 1200, 1224, 1232, 1269, 1282, 1297, 1316, 1337, 1412, 1413, 1421, 1425, 1432, 1443.			
				692072	Spring–Governor			
					Used on Type No(s). 0411, 0479, 1125, 1179, 1227, 1242, 1247, 1296, 1437.			
				690716	Spring–Governor			
					Used on Type No(s). 0369, 0386, 0433, 1069, 1086, 1095, 1210, 1237, 1278, 1429.			

★ Included in Engine Gasket Set–Ref. No. 358.

● Included in Carburetor Overhaul Kit–Ref. No. 121.

◆ Included in Carburetor Gasket Set–Ref. No. 977.

△ Included in Valve Gasket Set–Ref. No. 1095.

Illustrations cover a range of engines. Parts shown without corresponding text may not be used on your specific engine.

303400

REF. NO.	PART NO.	DESCRIPTION	REF. NO.	PART NO.	DESCRIPTION	REF. NO.	PART NO.	DESCRIPTION
210	691370	Strainer–Fuel	211A	692068	Spring–Governed Idle	212	690712	Link–Throttle
211	692069	Spring–Governed Idle			Note	212A	691519	Link–Throttle
		Note			690707	216	690705	Link–Choke
		691505			Spring–Governed Idle	217	806862	Spring–Choke Return
		Used on Type No(s).			Used on Type No(s).	222	808454	Bracket–Control
		0326, 0369, 0386,			0027, 0035, 0036,			(Used With Control
		0433, 1026, 1086,			0054, 0060, 0061,			Lever And/Or Wire
		1278.			0074, 0084, 0085,			With "Z" Formed End)
		806868			0092, 0123, 0133,			(Used After Code Date
		Spring–Governed Idle			0136, 0312, 0313,			94113000).
		Used on Type No(s).			0315, 0317, 0319,	222A	690918	Bracket–Control
		1408.			0321, 0325, 0327,			(Used With Control
					0329, 0350, 0354,			Lever And/Or Wire
					0360, 0362, 0365,			With "L" Formed End)
					0366, 0373, 0374,			Note
					0382, 0385, 0391,			691570
					0392, 0394, 0397,			Bracket–Control
					0399, 0412, 0416,			(Used After Code Date
					0417, 0419, 0420,			95043000).
					0427, 0428, 0430,			Used on Type No(s).
					0435, 0453, 0458,			1314, 1319.
					0464, 0475, 0476,			808014
					0477, 0481, 0488,			Bracket–Control
					0489, 0495, 0496,			(Used Before Code
					0501, 0502, 0505,			Date 95050100).
					0518, 1012, 1013,			Used on Type No(s).
					1015, 1017, 1018,			0414, 0478, 1114,
					1019, 1021, 1025,			1178.
					1031, 1033, 1049,	226	692075	Rod–Hand Choke
					1054, 1060, 1062,	227	690236	Lever–Governor
					1066, 1073, 1074,			Control
					1087, 1094, 1111,	231	690718	Screw
					1112, 1114, 1116, 1118,			(Choke Valve)
					1119, 1120, 1127,	232	692073	Spring–Governor Link
					1129, 1131, 1133,	234	691723	Clip–Control Rod
					1141, 1158, 1159,	239	690233	Switch–Oil Pressure
					1164, 1167, 1168,			Note
					1175, 1176, 1177,			491657S Switch–Oil
					1181, 1189, 1195,			Pressure
					1196, 1205, 1208,			Used on Type No(s).
					1218, 1231, 1250,			1042, 1046, 1057,
					1251, 1262, 1403.			1068, 1149, 1194,
					691553			1198, 1220, 1228,
					Spring–Governed Idle			1252, 1278, 1279,
					Used on Type No(s).			1283, 1295, 1312,
					1179, 1186, 1236,			1313, 1330, 1368.
					1269, 1272, 1311,			
					1314, 1319, 1331,			
					1406.			

★ Included in Engine Gasket Set–Ref. No. 358.

● Included in Carburetor Overhaul Kit–Ref. No. 121.

◆ Included in Carburetor Gasket Set–Ref. No. 977.

△ Included in Valve Gasket Set–Ref. No. 1095.

Illustrations cover a range of engines. Parts shown without corresponding text may not be used on your specific engine.

REF. NO.	PART NO.	DESCRIPTION	REF. NO.	PART NO.	DESCRIPTION	REF. NO.	PART NO.	DESCRIPTION
240	298090	Filter–Fuel	280	691526	Bracket–Rod	304	807814	Housing–Blower (Black)(Without Weld Nut)(For Plastic Air Cleaner Base)
240A	691035	Filter–Fuel	281	690742	Panel–Control			(Used After Code Date 90111600).
240B	808116	Filter–Fuel	282	692083	Screw (Control Lever)			Note
255	●690721	Bushing–Choke Shaft	287	806660	Screw (Dipstick Tube)(Special)			807892
262	692083	Screw (Rod Bracket)			Note			Housing–Blower (Red)(With Weld Nut)(For Plastic Air Cleaner Base)
265	691024	Clamp–Casing			692062 Screw (Dipstick Tube)			(Used Before Code Date 90111700).
267	692083	Screw (Casing Clamp)			Used on Type No(s). 1131, 1147, 1233, 1270, 1279, 1311, 1314, 1319, 1320, 1330, 1337, 1343, 1344, 1346, 1409, 1432, 1439, 1444, 1450.			807654
268	691025	Casing–Control Wire (Cut To Required Length)						Housing–Blower (Red)(With Weld Nut)(For Plastic Air Cleaner Base)
269	691026	Wire–Control (Cut To Required Length)						(Used Before Code Date 90111700).
270	691027	Nut (Control Wire Casing)						807662
271	692541	Lever–Control (Cable Wire With "Z" Formed End)	287A	805177	Screw (Dipstick Tube)			Housing–Blower (Black)(With Weld Nut)(For Plastic Air Cleaner Base)
271A	692105	Lever–Control (Cable Wire With "L" Formed End)	300	807741	Muffler (Cylinder 1)(Side Outlet)			(Used Before Code Date 90111700).
271B	691028	Lever–Control	300A	807742	Muffler (Cylinder 2)(Side Outlet)			807662
273	690681	Seal–O Ring (Oil Pump)	300B	498984	Muffler (Super Lo Tone)			Housing–Blower (Black)(With Weld Nut)(For Plastic Air Cleaner Base)
276	690704	Washer–Sealing	300C	807752	Muffler (Low Mount)			(Used Before Code Date 90111700).
276A	★△807085	Washer–Sealing (Cylinder Head) (Used After Code Date 01120200).	300D	692099	Muffler (Low Mount)	304A	808055	Housing–Blower (Red)(Without Weld Nut)(For Metal Air Cleaner)
		Note	300E	690906	Muffler (Cylinder 1)(Side Outlet)(Starter Motor Side)			(Used After Code Date 90111600).
		691766	300F	690931	Muffler (Hi Mount)(Starter Side Exit)			Note
		Washer–Sealing (Cylinder Head) (Used Before Code Date 01120300).	300H	807831	Muffler (Cylinder 1)(Side Outlet)(Starter Motor Side)			808408
		806137	300J	807799	Muffler (Cylinder 2)(Side Outlet)(Oil Filter Side)			Housing–Blower (Black)(Without Weld Nut)(For Plastic Air Cleaner Base)
		Washer–Sealing (Cylinder Head) Used on Type No(s). 1236, 1311, 1331, 1334.	300L	808380	Muffler (Cylinder 1)(Side Outlet)(Starter Motor Side)			
276B	●690724	Washer–Sealing (Carburetor Plug)						
278	690237	Washer (Governor Control Lever)						

★ Included in Engine Gasket Set–Ref. No. 358.

● Included in Carburetor Overhaul Kit–Ref. No. 121.

◆ Included in Carburetor Gasket Set–Ref. No. 977.

△ Included in Valve Gasket Set–Ref. No. 1095.

Illustrations cover a range of engines. Parts shown without corresponding text may not be used on your specific engine.

303400

REF. NO.	PART NO.	DESCRIPTION	REF. NO.	PART NO.	DESCRIPTION	REF. NO.	PART NO.	DESCRIPTION
305	841233	Screw (Blower Housing) (Used After Code Date 03120900). ———— Note ———— 692539 Screw (Blower Housing)(10mm Long) (Used Before Code Date 03121000). 692056 Screw (Blower Housing)(14 mm Long) 807163 Screw (Blower Housing)(10mm Long)	308A	806544	Cover–Cylinder Head (Cylinder 2)(Black)	310C	692329	Screw (Starter Motor)(5–3/8” Long)
305B	692062	Screw (Blower Housing)(18mm Long)	308B	806545	Cover–Cylinder Head (Cylinder 1)(Black)	311	496887	Brush Set
308	806547	Cover–Cylinder Head (Cylinder 1)(Black) (Used After Code Date 93072200). ———— Note ———— 807868 Cover–Cylinder Head (Cylinder 1)(Black) (Used After Code Date 90111600 and Before Code Date 93072300). 807656 Cover–Cylinder Head (Cylinder 1)(Black) (Used Before Code Date 90111700). 841182 Cover–Cylinder Head (Cylinder 2)(Black) Used on Type No(s). 1343, 1344, 1346, 1444, 1450. 841232 Cover–Cylinder Head (Cylinder 1)(Black) Used on Type No(s). 1343, 1344, 1346, 1444, 1450.	308G	690913	Cover–Cylinder Head (Cylinder 2)(Black) (Used After Code Date 93072200). ———— Note ———— 807869 Cover–Cylinder Head (Cylinder 1)(Black) (Used After Code Date 90111600 and Before Code Date 93072300). 807657 Cover–Cylinder Head (Cylinder 2)(Black) (Used Before Code Date 90111700).	311A	497608	Brush Set
			309	691564	Motor–Starter (DC)(10–16 AMP)	311B	490311	Brush Set (For 4 9/16” Housing Length)
			309A		Motor–Starter (For Replacement Starter Motor, Order Reference 309)	318	806870	Screw (Mounting Bracket)
			309B	499521	Motor–Starter (For Aluminum Ring Gear Only)	318A	691982	Screw (Mounting Bracket)
			309C		Motor–Starter (Services Aluminum Ring Gear Only)(For Replacement See Reference 309)	318B	690932	Screw (Mounting Bracket)
			309D	808817	Motor–Starter Used on Type No(s). 1340, 1341.	321	690379	Fan–Booster
			310	496880	Screw (Starter Motor)(4 1/4” Long)	322	841233	Screw (Cylinder Head Cover) (Used After Code Date 03120900). ———— Note ———— 692539 Screw (Cylinder Head Cover) (Used Before Code Date 03121000). 807163 Screw (Cylinder Head Cover)
			310A	690323	Screw (Starter Motor)(4 7/16” Long)	322A	692067	Screw (Cylinder Head Cover)
			310B	691263	Screw (Starter Motor)(4 3/16” Long)	331	691075	Washer (Booster Fan)
						332	690887	Nut (Flywheel)
						333	492341	Armature–Magneto
						334	692066	Screw (Magneto Armature)
						337	491055	Plug–Spark ———— Note ———— 496018 Plug–Spark Used on Type No(s). 0411, 0451, 0452, 0456, 0479, 0480, 0482, 0483, 1151, 1152, 1179, 1180, 1182, 1183, 1188, 1200, 1236, 1282, 1331.

★ Included in Engine Gasket Set–Ref. No. 358.

● Included in Carburetor Overhaul Kit–Ref. No. 121.

◆ Included in Carburetor Gasket Set–Ref. No. 977.

△ Included in Valve Gasket Set–Ref. No. 1095.

Illustrations cover a range of engines. Parts shown without corresponding text may not be used on your specific engine.

REF. NO.	PART NO.	DESCRIPTION	REF. NO.	PART NO.	DESCRIPTION	REF. NO.	PART NO.	DESCRIPTION		
338	★△691312	Gasket–Dipstick	383	19374	Wrench–Spark Plug	439	692154	Seal–O Ring		
346	690661	Screw	385	807084	Screw			(Crankcase		
		(Spark Arrestor)			(Fuel Pump)			Cover/Sump)		
347	691995	Switch–Rocker			———— Note ————			(Used After Code Date		
		(Without Light)			692537 Screw			97043000).		
349	690238	Nut			(Fuel Pump)			———— Note ————		
		(Cylinder Head Cover)			Used on Type No(s).			805198 Seal–O Ring		
351	692083	Screw	385A	693169	Screw			(Crankcase		
		(Ground Terminal)			(Fuel Pump)			Cover/Sump)		
355	690237	Washer	387	808656	Pump–Fuel			(Used Before Code		
		(Muffler Bracket)	387A	808969	Pump–Fuel			Date 97050100).		
355A	690944	Washer			Used on Type No(s).	440	690335	Screw		
		(Muffler Bracket)			1179, 1180, 1233,			(Booster Fan)		
356	690796	Wire–Stop			1282, 1408.	440A	690342	Screw		
		Used on Type No(s).			388	820799	Lever–Pinion Drive	(Booster Fan)		
		0130, 1069, 1095,			Used on Type No(s).			445	394018	Filter–Air Cleaner
		1277, 1338, 1429.			1340, 1341.			Cartridge		
356A	690809	Wire–Stop	403	690288	Washer	445A	805113	Filter–Air Cleaner		
		(2 Wires, 10–3/4", And			(End Cap)			Cartridge		
		12–1/2" Long,	413	693587	Nut	445B	393957	Filter–Air Cleaner		
		Connected By			(Starter Motor)			Cartridge		
		ShrinkTube)(Insulated	415	690283	Plug	447	841233	Screw		
		Flag Female Blade			(Intake Manifold)			(Air Guide Cover)		
		Terminal,A	432	691509	Cap–Spring			(Used After Code Date		
356B	692961	Wire–Stop	436	692061	Manifold–Exhaust			03120900).		
356C	807593	Wire–Stop			(Cylinder 2)(Side			———— Note ————		
		(Cylinder 2)			Outlet)			692539 Screw		
356D	807594	Wire–Stop	436A	691499	Manifold–Exhaust			(Air Guide Cover)		
		(Cylinder 1)			(Cylinder 2)(Side			(Used Before Code		
356E	691999	Wire–Stop			Outlet)			Date 03121000).		
		(Ignition Coil)	436B	691501	Manifold–Exhaust			807163 Screw		
		Used on Type No(s).			(Cylinder 1)(Side			(Air Guide Cover)		
		0130, 1069, 1095,	436C	805609	Manifold–Exhaust	450	806497	Washer		
		1277, 1338, 1429.			(Used With Muffler			(Fuel Tank Bracket)		
357	691483	Key–Drive Pulley			Supplied By Customer)	455	691517	Cup–Flywheel		
358A	808390	Gasket Set–Engine	436D	691502	Manifold–Exhaust			(Used After Code Date		
359	691077	Washer			(Used With Muffler			93072500).		
		(Ground Terminal)			Supplied By Customer)			———— Note ————		
363	19203	Puller–Flywheel	437	691902	Screw			805153 Cup–Flywheel		
365A	690711	Screw			(Exhaust Manifold)			(Used Before Code		
		(Carburetor)						Date 93072600).		
373	691612	Nut								
		(Ground Terminal)								
373A	690713	Nut								
		(Ground Terminal)								
377	808095	Key–Woodruff								

★ Included in Engine Gasket Set–Ref. No. 358.

● Included in Carburetor Overhaul Kit–Ref. No. 121.

◆ Included in Carburetor Gasket Set–Ref. No. 977.

△ Included in Valve Gasket Set–Ref. No. 1095.

Illustrations cover a range of engines. Parts shown without corresponding text may not be used on your specific engine.

9691–31

Assemblies include all parts shown in frames.

3/15/2004

303400

REF. NO.	PART NO.	DESCRIPTION	REF. NO.	PART NO.	DESCRIPTION	REF. NO.	PART NO.	DESCRIPTION
456	691529	Plate-Pawl Friction	501	691185	Regulator (10 Amp Regulator)	524	★693172	Seal-Dipstick Tube (Used After Code Date 98053100).
456A	224228	Plate-Pawl Friction	501A	691188	Regulator (5 To 9 Amp Regulated)			———— Note ———— 281370S
459	808166	Pawl-Ratchet	501B	691573	Regulator (20 Amp) Used on Type No(s). 1041, 1057, 1110, 1236, 1278, 1295, 1322, 1331, 1384.	525	693174	Tube-Dipstick (Standard) (Used After Code Date 98053100).
459A	492431	Pawl-Ratchet	503	691532	Strap-Starter	525A	693173	Tube-Dipstick (Used After Code Date 98053100).
467	691985	Knob-Air Cleaner	505	690238	Nut (Governor Control Lever)			Used on Type No(s). 1131, 1147, 1197, 1233, 1270, 1279, 1311, 1314, 1319, 1320, 1344, 1409.
467A	690895	Knob-Air Cleaner	506	690677	Screw (Carburetor Cover)	525C	690897	Tube-Dipstick (Used Before Code Date 98060100).
467B	691668	Knob-Air Cleaner	507	691972	Insulator			———— Note ———— 690907 Tube-Dipstick (Used Before Code Date 98060100). Used on Type No(s). 0310, 0446, 0447, 0497, 1147, 1197, 1233, 1270.
468	★690690	Seal-O Ring (Oil Pump Screen)	507A	281223	Insulator	526	692067	Screw (Regulator)(10-16 Amp Regulated)
474B	696459	Alternator Used on Type No(s). 1293, 1346, 1412, 1421, 1425, 1432, 1434.	510	496881	Drive-Starter (Used With Steel Ring Gear)			
474C	696457	Alternator (5 To 9 Amp Regulated) ———— Note ———— 696458 Alternator Used on Type No(s). 1344, 1444.	510A	696541	Drive-Starter			
474D	696458	Alternator (10-16 Amp Regulated) Used on Type No(s). 1236. 696579 Alternator (10-16 Amp Regulated) Used on Type No(s). 1057, 1110, 1236, 1278, 1295, 1306, 1311, 1322, 1331, 1384, 1416.	510B	696540	Drive-Starter (For 4-3/8" Housing Length)			
479	692537	Screw (Oil Pump Screen) ———— Note ———— 807084 Screw (Oil Pump Screen)	513	692024	Clutch-Drive			
493	691518	Bracket-Mounting	515	691528	Spring-Pawl			
493A	691177	Bracket-Mounting (Regulator)	520	691084	Terminal-Ground			
493B	691503	Bracket-Mounting	520A	809077	Terminal-Ground			
500	691086	Washer (Key Switch)	522	491832	Plug-Dipstick/Fill			
			523	692100	Dipstick (Standard) (Used Before Code Date 98060100).			
			523A	693175	Dipstick (Special) (Used After Code Date 98053100).			

★ Included in Engine Gasket Set-Ref. No. 358.

● Included in Carburetor Overhaul Kit-Ref. No. 121.

◆ Included in Carburetor Gasket Set-Ref. No. 977.

△ Included in Valve Gasket Set-Ref. No. 1095.

Illustrations cover a range of engines. Parts shown without corresponding text may not be used on your specific engine.

REF. NO.	PART NO.	DESCRIPTION	REF. NO.	PART NO.	DESCRIPTION	REF. NO.	PART NO.	DESCRIPTION
526A	690717	Screw (Regulator)(5 To 9 Amp Regulated) (Used After Code Date 90021100). ———— Note ———— 810084 Screw (Regulator)(5 To 9 Amp Regulated) (Used Before Code Date 90021200).	563	691982	Screw (Debris Screen Guard)	608A	808152	Starter–Rewind (Used Before Code Date 93072600). ———— Note ———— 494926 Starter–Rewind (Used Before Code Date 93072600). Used on Type No(s). 0448.
526B	691547	Screw (Regulator)(10–16 Amp Regulated) Used on Type No(s). 1041, 1057, 1110, 1236, 1278, 1295, 1322, 1331, 1384.	577	690795	Cable–Starter	613	841233	Screw (Muffler) (Used After Code Date 03120900). ———— Note ———— 692539 Screw (Muffler) (Used Before Code Date 03121000). 807163 Screw (Muffler)
527	690423	Clamp–Tube	578	692306	Wire Assembly (1 Wire, 48–1/2” Long)(Snap Connect Female Pin Socket, And Bare WireEnd)	613A	692056	Screw (Muffler) ———— Note ———— 692067 Screw (Muffler)
529	690744	Grommet	578A	692319	Wire Assembly (Ignition Coil)	615	691550	Retainer–Governor Shaft
529A	691527	Grommet	578B	691377	Wire Assembly	616	806685	Crank–Governor (Used After Code Date 99072000).
532	691115	Nut (Mounting Bracket)	596	691492	Screw (Oil Pump)	616A	690899	Crank–Governor (Used Before Code Date 99072100).
544	690855	Armature–Starter	597	690876	Screw (Pawl Friction Plate)	620	494052	Panel–Speed Control
544A	693548	Armature–Starter	597A	94463	Screw (Pawl Friction Plate)			
544B		Armature–Starter (Serviced By 499521 Starter Motor Only)	598	807625	Shim–End Play (Crankshaft)			
544C	490309	Armature–Starter	601	691038	Clamp–Hose			
552	690701	Bushing–Governor Crank (Output End)	601A	805813	Clamp–Hose			
552A	806686	Bushing–Governor Crank (Flanged)	601B	95162S	Clamp–Hose			
552B	690702	Bushing–Governor Crank	601C	691522	Clamp–Hose			
555	692067	Screw (Starter Solenoid)	608	692102	Starter–Rewind (Used After Code Date 93072500).			
561	690713	Nut (Control Lever)						
562	690239	Bolt (Governor Control Lever)						

★ Included in Engine Gasket Set–Ref. No. 358.

● Included in Carburetor Overhaul Kit–Ref. No. 121.

◆ Included in Carburetor Gasket Set–Ref. No. 977.

△ Included in Valve Gasket Set–Ref. No. 1095.

Illustrations cover a range of engines. Parts shown without corresponding text may not be used on your specific engine.

303400

REF. NO.	PART NO.	DESCRIPTION	REF. NO.	PART NO.	DESCRIPTION	REF. NO.	PART NO.	DESCRIPTION
628	806660	Screw (Fuel Pump Bracket)	650	841233	Screw (Oil Deflector)	689	691272	Spring-Friction
629	806717	Spring-Throttle Return			(Used After Code Date 03120900).	689A	262564	Spring-Friction
629A	806716	Spring-Throttle Return				691	★690680	Seal-Governor Shaft
		Note			Note	695	693109	Screw (Ring Gear)
	806863	Spring-Throttle Return Used on Type No(s). 1409.		692539	Screw (Oil Deflector) (Used Before Code Date 03121000).			Note
	807004	Spring-Throttle Return Used on Type No(s). 1320, 1381, 1410.		691982	Screw (Oil Deflector) Used on Type No(s). 1444.		693149	Screw (Ring Gear)
629B	692088	Spring-Throttle Return Used on Type No(s). 0404, 0405, 1104, 1105, 1108, 1252, 1283.	663	692083	Screw (Control Panel)	697	692062	Screw (Drive Cap)
	806131	Seal-Choke/Throttle Shaft	664	691087	Nut (Key Switch)	703	94484	Clip
		Note	668A	691500	Spacer	706	805484	Washer (Breather Assembly) (Used Before Code Date 90111500).
	690722	Seal-Choke/Throttle Shaft	674	692056	Screw (Fuel Tank Bracket)	710	807689	Cover-Oil Filter
633C	807003	Seal-Choke/Throttle Shaft Used on Type No(s). 1381, 1410.	674A	805177	Screw (Fuel Tank Bracket)	711A	691492	Screw (Carburetor Shield)
	692076	Boot-Spark Plug	674B	692062	Screw (Fuel Tank Bracket)	711B	690699	Screw (Carburetor Shield)
637	806999	Washer (Throttle Shaft)	676	393761	Deflector-Muffler (Side Out)	718	806469	Pin-Locating
637A	807000	Washer (Throttle Shaft)	676A	397630	Deflector-Muffler (Louvered)	718A	805102	Pin-Locating (Used Before Code Date 90091100).
638	691551	Washer (Cylinder Cover)(Head Cover)(Lock Tooth)	676B	396903	Deflector-Muffler (Direct Out)	718B	690740	Pin-Locating
638A	690706	Washer (Cylinder Cover)(Head Cover)(Spring)	676C	495518	Deflector-Muffler	725	280866	Shield-Heat (Cut To Required Length)
	692079	Retainer-Air Filter	676D	808394	Deflector-Muffler	725B	691498	Shield-Heat
643A	690447	Retainer-Air Filter	677	810079	Screw (Muffler Deflector)			Note
643B	691730	Retainer-Air Filter	677A	690688	Screw (Muffler Deflector)	725C	806102	Shield-Heat
			677B	690661	Screw (Muffler Deflector)	725D	805702	Shield-Heat
			681	808798	Kit-Needle/Seat	726		Gear-Ring (Steel)(See Reference 23 for Service)
			683	691029	Nut (Starter Solenoid)	726A	807805	Gear-Ring (Aluminum)

★ Included in Engine Gasket Set-Ref. No. 358.

● Included in Carburetor Overhaul Kit-Ref. No. 121.

◆ Included in Carburetor Gasket Set-Ref. No. 977.

△ Included in Valve Gasket Set-Ref. No. 1095.

Illustrations cover a range of engines. Parts shown without corresponding text may not be used on your specific engine.

REF. NO.	PART NO.	DESCRIPTION	REF. NO.	PART NO.	DESCRIPTION	REF. NO.	PART NO.	DESCRIPTION
727	690714	Cover–Starter Drive (Black) ———— Note ——— 805503 Cover–Starter Drive (Red) 841313 Cover–Starter Drive (Black) Used on Type No(s). 1344, 1444.	789	691996	Harness–Wiring ———— Note ——— 691578 Harness–Wiring Used on Type No(s). 1041, 1110, 1278, 1295, 1322, 1331, 1384. 841318 Harness–Wiring Used on Type No(s). 1341.	819	690297	Screw (Muffler Bracket) (Used After Code Date 97012300). ———— Note ——— 692198 Screw (Muffler Bracket) (Used Before Code Date 97012400).
728	691514	Screw (Heat Shield)	789A	398661	Harness–Wiring Used on Type No(s). 1293, 1412, 1421, 1425.	819A	690943	Screw (Muffler Bracket)(16mm Long) ———— Note ——— 692056 Screw (Muffler Bracket)(14mm Long)
728B	805704	Screw (Heat Shield)	797	691029	Nut (Brush Retainer)	819C	692537	Screw (Muffler Bracket)
729	690586	Clip–Wire	797A	693167	Nut (Brush Retainer)	819D	692062	Screw (Muffler Bracket)
732	690688	Screw (Starter Drive Cover)	801	808777	Cap–Drive	830	809157	Stud–Rocker Arm (Used After Code Date 96033100). ———— Note ——— 691497 Stud–Rocker Arm (Used Before Code Date 96040100).
732A	841233	Screw (Starter Drive Cover) (Used After Code Date 03120900). ———— Note ——— 692539 Screw (Starter Drive Cover) (Used Before Code Date 03121000).	801B	691283	Cap–Drive	832	691571	Guard–Muffler
737	690679	Screw (Oil Filter Adapter)	801C	808778	Cap–Drive	833	841233	Screw (Air Cleaner Mounting Strap/Stud) (Used After Code Date 03120900). ———— Note ——— 692539 Screw (Air Cleaner Mounting Strap/Stud) (Used Before Code Date 03121000).
739	690451	Clip–Debris	802	496813	Cap–End			
741	691530	Gear–Timing	802A	691286	Cap–End			
742	807001	Retainer–E Ring	802C	494988	Cap–End (For 4–3/8" Housing Length)			
750	841233	Screw (Oil Pump Cover) (Used After Code Date 03120900). ———— Note ——— 692539 Screw (Oil Pump Cover) (Used Before Code Date 03121000).	803	690854	Housing–Starter			
773	690875	Retainer	803A	693547	Housing–Starter			
774	692067	Screw (Stop Wire)	803B		Housing–Starter (Serviced By 499521 Starter Motor Only)			
783	695708	Gear–Pinion (Services Aluminum Ring Gear Only)	803C	494205	Housing–Starter (For 4–3/8" Housing Length) ———— Note ——— 398892 Housing–Starter (For 4 9/16" Housing Length)			
788	691559	Bracket–Fuel Pump Used on Type No(s). 1344, 1346, 1444.	807	●805557	Spacer–Throttle			
			812	Δ692055	Nut (Rocker Cover) (Used Before Code Date 01120300).			
			813	690635	Clamp			
			816	690706	Washer (Oil Filter Adapter)			

★ Included in Engine Gasket Set–Ref. No. 358.

● Included in Carburetor Overhaul Kit–Ref. No. 121.

◆ Included in Carburetor Gasket Set–Ref. No. 977.

Δ Included in Valve Gasket Set–Ref. No. 1095.

Illustrations cover a range of engines. Parts shown without corresponding text may not be used on your specific engine.

303400

REF. NO.	PART NO.	DESCRIPTION	REF. NO.	PART NO.	DESCRIPTION	REF. NO.	PART NO.	DESCRIPTION
833A	690872	Screw (Air Cleaner Mounting Strap/Stud) (Used After Code Date 97103100).	868	691963	Seal-Valve	926	695975	Kit-Housing/Cap
833B	691593	Screw (Air Cleaner Mounting Strap/Stud)	871	692057	Bushing-Valve Guide	927	691116	Screw (Electronic Governor Module)
836	691514	Screw (Muffler Guard)	875	690894	Base-Air Cleaner (Plastic)	947A	692094	Solenoid-Fuel
836A	692067	Screw (Muffler Guard)	876	696539	Kit-Pinion Spring	949	690475	Guard-Debris Screen
837	808085	Spacer-Muffler	877	393456	Wire/Connector-Alternator (White Dual Socket)	949A	808226	Guard-Debris Screen (Number 0484)
840	692096	Kit-Panel	877B	393537	Wire/Connector-Alternator (Green)(Single Socket)	955A	807723	Plug-Carburetor (Jet)
842	★690611	Seal-O Ring (Dipstick Tube)	877C	399916	Wire/Connector-Alternator (2 Wires, 7-53/64" Long)(2 Bare Wire Ends, And Insulated Snap Connect Male Pin Terminal)	957	491367	Cap-Fuel Tank (Plastic)
843	691322	Sleeve-Lever	878	691237	Harness-Alternator (Dual Circuit)	957A	493988	Cap-Fuel Tank (Plastic)
849	691088	Screw (Stub Shaft)	878B	691362	Harness-Alternator (1 Wire, 47-1/2" Long)(Male Pin Terminal, And Bare Wire End)	958	698182	Valve-Fuel Shut Off (Plastic)
849A	690342	Screw (Stub Shaft)	879	690757	Cover-Carburetor	958A	698183	Valve-Fuel Shut Off (Plastic) Used on Type No(s). 1346, 1432, 1449.
851	493880	Terminal-Spark Plug				958B	692008	Valve-Fuel Shut Off (Plastic)
862	692153	Strap/Stud-Air Cleaner Mounting				967A	272490	Filter-Pre Cleaner
		Note 692542 Strap/Stud-Air Cleaner Mounting				967B	805267	Filter-Pre Cleaner
862C	807563	Strap/Stud-Air Cleaner Mounting				967C	271794	Filter-Pre Cleaner
862D	691565	Strap/Stud-Air Cleaner Mounting				968A	692097	Cover-Air Cleaner (Metal)
862E	492133	Strap/Stud-Air Cleaner Mounting				968B	690694	Cover-Air Cleaner (Plastic)
863	691513	Bracket-Muffler (Cylinder 2 Side)				968C	691910	Cover-Air Cleaner
863A	690756	Bracket-Muffler (Cylinder 2 Side)	882	692074	Flange-Exhaust	968E	691334	Cover-Air Cleaner
863B	805610	Bracket-Muffler	883	★691613	Gasket-Exhaust	971	807084	Screw (Air Cleaner Base to Carburetor)
865	690750	Cover-Air Guide (Black)	884	690898	Clamp-Muffler	971A	691492	Screw (Air Cleaner Base to Carburetor)
865A	690901	Cover-Air Guide (Black)	884A	691956	Clamp-Muffler	971B	692537	Screw (Air Cleaner Base to Carburetor)
		Note 807653 Cover-Air Guide (Red) 690908 Cover-Air Guide (Black) Used on Type No(s). 0310, 0446, 0447, 0497, 1147, 1197, 1270, 1279.	892	692318	Switch-Key	972	492369	Tank-Fuel (Plastic)(7 Quart)(Plastic)
			893	820805	Nut (Starter Solenoid) Used on Type No(s). 1340, 1341.	972A	690663	Tank-Fuel (Plastic)(9 Quart)(Plastic)
			896	691641	Pin-Drive Retainer			
			899	691077	Washer (Starter Solenoid)			
			918	393815	Hose-Vacuum (Rocker Cover To Impulse Pump)(Cut To Required Length)			
			920	691656	Solenoid-Starter			
			920A	825418	Solenoid-Starter Used on Type No(s). 1340, 1341.			

★ Included in Engine Gasket Set-Ref. No. 358.

● Included in Carburetor Overhaul Kit-Ref. No. 121.

◆ Included in Carburetor Gasket Set-Ref. No. 977.

△ Included in Valve Gasket Set-Ref. No. 1095.

Illustrations cover a range of engines. Parts shown without corresponding text may not be used on your specific engine.

REF. NO.	PART NO.	DESCRIPTION	REF. NO.	PART NO.	DESCRIPTION	REF. NO.	PART NO.	DESCRIPTION
987	●806864	Seal—Throttle Shaft ———— Note ———— 807002 Seal—Throttle Shaft	1028	808033	Adapter—Oil Filter (For Horizontal Mounted Oil Filter) ———— Note ———— 808235 Adapter—Oil Filter	1038	492374	Rod—Fuel Shut Off
988	★692063	Gasket—Oil Adapter				1038A	691567	Rod—Fuel Shut Off
988A	★690687	Gasket—Oil Adapter				1044	692056	Screw (Flywheel)
990	691959	Key Set	1029	807323	Arm—Rocker (Used After Code Date 96033100).	1046	692082	Plug—Blower Housing
994	392390	Arrestor—Spark				1047	807867	Shaft—Stub
996	691577	Shield—Carburetor	1029A	692103	Arm—Rocker (Used Before Code Date 96040100).	1048	690669	Module—Electronic Governor (Used After Code Date 98102700).
996C	690696	Shield—Carburetor				1051	691124	Ring—Retaining
1004	690743	Duct—Air	1030	691496	Support—Rocker Arm	1051A	691265	Ring—Retaining
1004B	692538	Duct—Air (Used With Plastic Air Cleaner Base)	1031	690693	Shaft—Rocker Arm	1054	280275	Tie—Cable
			1036	806881	Label—Emissions (Used After Code Date 00063000). ———— Note ———— 806687 Label—Emissions (Used After Code Date 99093000 and Before Code Date 00070100). 806583 Label—Emissions (Used After Code Date 98123100 and Before Code Date 99100100). 499365 Label—Emissions (Used After Code Date 97052500 and Before Code Date 99010100). 499366 Label—Emissions (Used After Code Date 97052600). 806890 Label—Emissions (Used After Code Date 00063000). Used on Type No(s). 1138. 806632 Label—Emissions (Used After Code Date 98123100). Used on Type No(s). 1138, 1149.	1054A	710349	Tie—Cable
1009	806474	Screw (Starter Motor)				1058	275368	Operator's Manual
1012	690592	Retainer—Link				1083	691626	Nut (End Cap)
1012A	691521	Retainer—Link				1083A	690958	Nut (End Cap)
1017	690900	Screen—Oil Pump				1085	809093	Module—Ignition
1019	808036	Kit—Label				1090	691293	Retainer—Brush
1022	★△806039	Gasket—Rocker Cover				1091	●691516	Cap—Limiter
1023	690758	Cover—Rocker (Used After Code Date 03103100).				1095B	808392	Gasket Set—Valve
1023B	691494	Cover—Rocker (Used Before Code Date 03110100).				1100	690973	Pivot—Rocker Arm
1023C	690910	Cover—Rocker (Used On Cylinder 1 Fuel Pump Applications)				1119	691552	Screw (Alternator)
1023D	691558	Cover—Rocker (Used On Cylinder 1 Fuel Pump Applications)				1122	93410	Screw (Blower Housing Adapter)
1023E	691531	Cover—Rocker				1139	806497	Washer (Fuel Pump Bracket)
1024	693185	Pump—Oil				1148	94504	Screw (Clip)
1025	690689	Spool—Governor				1231	692067	Screw (Ignition Module)
1026	691836	Rod—Push (Steel) ———— Note ———— 691758 Rod—Push (Aluminum)				1254	807084	Screw (Rocker Cover Stud)
1027	492932S	Filter—Oil (2 1/4" Long) ———— Note ———— 491056 Filter—Oil (3 1/4" Long)				1330	272144	Repair Manual
						1344	841129	Cable—Choke Used on Type No(s). 1385.
						1346	492031	Valve—Oil Drain Shut Off Used on Type No(s). 1443, 1444.

★ Included in Engine Gasket Set—Ref. No. 358.

● Included in Carburetor Overhaul Kit—Ref. No. 121.

◆ Included in Carburetor Gasket Set—Ref. No. 977.

△ Included in Valve Gasket Set—Ref. No. 1095.

Illustrations cover a range of engines. Parts shown without corresponding text may not be used on your specific engine.
9691-37 Assemblies include all parts shown in frames. **3/15/2004**